

# Lighting for Business & General Aviation Aircraft

AEROSPACE



Reliable,  
high performance  
aircraft lighting

Grimes Aerospace Company: A Subsidiary of Honeywell

**EXTERIOR LIGHTING**

Wing Position Lights	2
Tail Position Lights	7
Floodlights	11
Anti-Collision Navigation Lights	12
Navigational Position Lights	14
Integrated Wing Tip Assemblies	16
Strobe Lights	17
Strobe Power Supplies	21
Strobe Flasher	22
Fixed Landing & Taxi Lights	24
Wing Inspection Lights	26
Logo Lights	28
Emergency Exit Lights	29

**ELECTRO-MECHANICAL LIGHTING**

Solid State Switch	22
Retractable Landing & Search Lights	23

**INTERIOR LIGHTING**

Floodlights	30
Dome Lights	32
Cockpit Lights	34
Spotlights	36
Emergency Exit Signs & Lights	37
Emergency Exit Power Supplies	38

**LENSES & LAMPS** 39**MOTORS & FLASHTUBES** 40**Our Product Line Includes:**

- ◆ Navigation & Position Lights
- ◆ Retractable Landing & Search Lights
- ◆ Night Vision Compliant Equipment
- ◆ Strobes & Power Supplies
- ◆ Windshield Wiper Systems
- ◆ Cabin & Cockpit Lighting
- ◆ Emergency Escape Lighting

**Aerospace Electronic Systems**

Grimes Aerospace Company  
 A Subsidiary of Honeywell  
 Lighting & Electronics  
 240 Twain Avenue, Urbana, OH 43078 U.S.A.  
 TEL: 937.484.2100 FAX: 937.484.2101  
 TOLL FREE: 800.788.5118  
 WEB: [www.grimesaero.com](http://www.grimesaero.com)

Seaplane © 1997 The Learning Company, Inc. and its licensors

**AEROSPACE**

# A1815 WING POSITION LIGHT

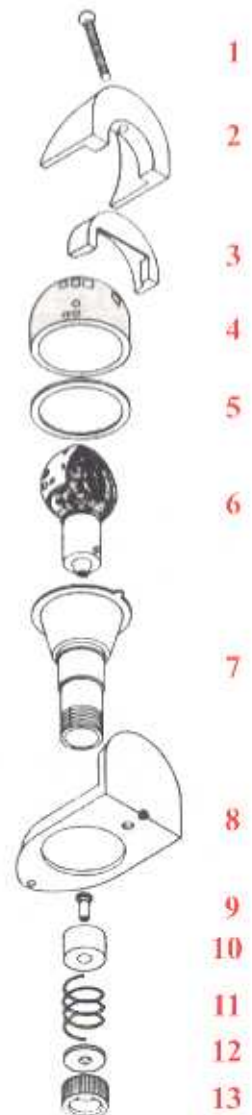


- ◆ FAA-TSO-C30b
- ◆ Used on Canadair Challenger 600, 601 & 604; Cessna 310, 335, 340, 402, 404, 414, 421, 425 & 441; Mitsubishi MU-2P, MU-300
- ◆ Lightweight & compact
- ◆ Single indexing bayonet base lamp
- ◆ Designed to be recessed into the wing tip
- ◆ Easily relamped utilizing standard screwdriver
- ◆ Isolated ground terminal

## SPECIFICATIONS

Weight: 0.27 lbs. + wire weight. Length 2.37 x Width 1.78 x Height 3.68 inches.

ITEM	PART NUMBER	DESCRIPTION
1	NAS388-6-16	Screw No. 6-32x1"
	A6177	Lens Retainer
3	A6053	Gasket
4a	A1280-1	Lens, Clear
4b	A1280-2	Lens, Red
4c	A1280-3	Lens, Green
5	A1257A	Gasket
6a	A7512-24	Lamp, 28V
6b	600	Lamp, 6V
6c	628	Lamp, 26.5V
6d	1512	Lamp, 14V
6e	1524	Lamp, 28V
7	A1825	Lampholder Assembly
8	A1811	Base
9	A2351-1	Terminal
10	A2353A	Terminal Guide
11	A1783	Spring
12	A4149	Insulator
13	A1111	Nut



## 30-1661

## WING POSITION LIGHT



- ◆ FAA-PMA
- ◆ Used on Fairchild Metros
- ◆ Available in clear or colored as required
- ◆ Utilizes a single 28V bayonet base lamp
- ◆ Easily relamped by utilizing standard tools
- ◆ Compact dual wing position light designed to be recessed in the wing tip
- ◆ Isolated ground terminal

## SPECIFICATIONS

Weight: 0.38 lbs. Length 2.25 x Width 2.25 x Height 1.08 exposed/3.28 total inches.



ITEM	PART NUMBER	DESCRIPTION
1	31-5407-1	Lens Retainer
2a / b	A1280-2 / -3	Lens, Red / Green
3	A1257A-5	Gasket
4	A7512-24	Lamp, 28V
5	A1825-6	Lampholder Assembly

## 30-2600

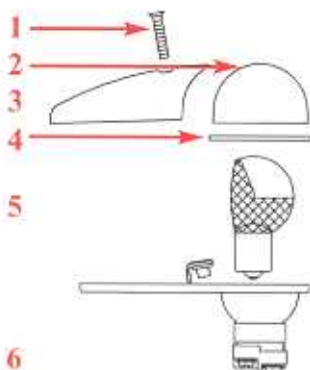
## WING POSITION LIGHT



- ◆ FAA-TSO-C30c
- ◆ Used on Lear 45; Bell 427
- ◆ Stainless steel Isolated Ground lampholder
- ◆ Compact tear drop shape designed to mount on the wing tip

## SPECIFICATIONS

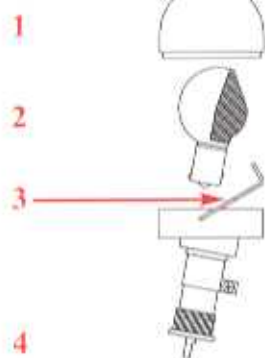
Weight: 0.30 lbs. Length 3.82 x Width 1.70 x Height 1.07 exposed, 1.44 installed inches.



ITEM	PART NUMBER	DESCRIPTION
1	MS24693C30	Screw #6-32
2a / b	A1280-2 / -3	Lens (Aviation Red) / (Aviation Green)
3	A1104	Shield
4	A1257A	Gasket
5a / b	628 / A7512-24	Lamp, 26.5V / 28V
6a / b	31-8536-1 / -2	Base Assembly (LH) / (RH)

2885

## WING POSITION LIGHT



- ◆ FAA-TSO-C30b for Type I & II forward position lights
- ◆ Used on Learjet 24, 25, 28, 29, 35, 54, 55 & 56; Gulfstream GIII, GIV
- ◆ Utilizes a single indexing bayonet base lamp
- ◆ Lightweight, non-magnetic assembly
- ◆ Designed to be recessed in the wing tip

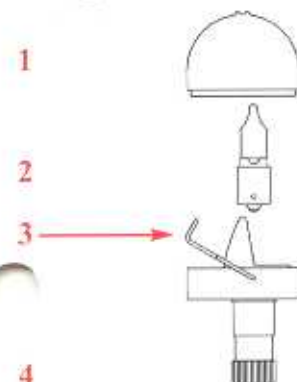
## SPECIFICATIONS

Weight: 0.33 lbs. Length 3.35 x Width 2.50 inches.

ITEM	PART NUMBER	DESCRIPTION
1a	A1233A1	Lens, Aviation Clear White
1b	A1233A2	Lens, Aviation Red
1c	A1233A3T	Lens, Aviation Green
2	A4174-24	Lamp, 28V, 40W
3	A7934-3	Lens Retainer
4	10591-1	Base Assembly

30-2478

## WING POSITION LIGHT



- ◆ Used on Gulfstream GV
- ◆ Designed to meet applicable requirements of FAA-TSO-C30c for Type I & II Forward position lights
- ◆ Utilizes a long-life 1200-hour halogen lamp

## SPECIFICATIONS

Weight 0.33 Lbs. Length 2.06 x Width 2.06 x Height 1.94 exposed/1.65 installed inches.

ITEM	PART NUMBER	DESCRIPTION
1a	A1233A2	Lens, Aviation Red (-1)
1b	A1233A3t	Lens, Aviation Green (-2)
2	55-2471-1	Lamp, 26.5V, 40W
3	A7934-3	Lens Retainer
4	31-8068-1	Housing Assembly

## 30-1728

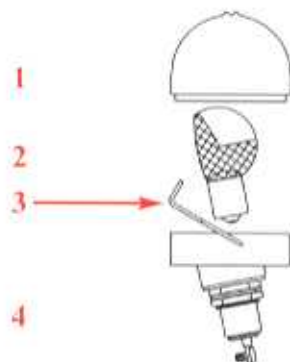
## WING POSITION LIGHT



- ◆ FAA-PMA
- ◆ Used on Lear 31A, 60
- ◆ Lightweight non-magnetic assembly
- ◆ Single indexing bayonet base lamp
- ◆ Designed to be recessed into the wing tip
- ◆ Isolated ground terminal

## SPECIFICATIONS

Weight: 0.33 lbs. Length 4.13 x Width 2.06 inches.



ITEM	PART NUMBER	DESCRIPTION
1a	A1233A-2	Lens (Aviation Red)
1b	A1233A-3T	Lens (Aviation Green)
2	A4174-24	Lamp, 28V, 40W
3	A7934	Lens Retainer
4	31-2996-3	Base Assembly

## 30-1265

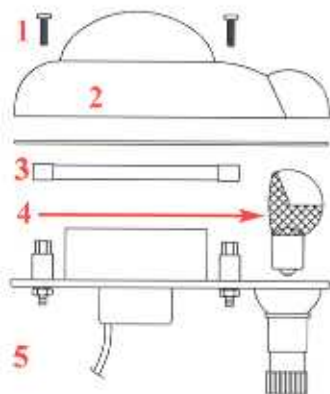
## WING POSITION LIGHT



- ◆ FAA-TSO-C30b
- ◆ Used on Beech C23 Sundowner, Duchess
- ◆ Combination position & strobe light
- ◆ Designed for installation on the wing tip to provide 360 degree strobe coverage
- ◆ Exceeds minimum anti-collision light intensity & distribution requirements of FAR 23

## SPECIFICATIONS

Weight: 0.99 lbs. Length 6.18 x Width 1.94 x Height 2.20 inches.



ITEM	PART NUMBER	DESCRIPTION
1	MS51957-27	Screw #6-32x5/16"
2a	31-4195-1	Lens Assembly (Aviation Red)
2b	31-4195-2	Lens Assembly (Aviation Green)
3	55-0221-3	Flashtube
4a / b	A7512-12 / -24	Lamp 13V, 26W / 28V, 26W
5	31-4182-1	Light Subassembly

12064

## TAIL POSITION LIGHT



- ◆ FAA-TSO-C30b
- ◆ Used on Canadair Challenger; Cessna Citation II, III, V, VI, 152, 172, 180 & 182; Bell Helicopters; Piper Aztec, Pawnee, Tomahawk, Warrior, Archer, Arrow Dakota, Seminole, Seneca, Chieftain & Cheyenne Series; Mitsubishi MU-2P, MU-300
- ◆ Colored lenses are also available
- ◆ Manufactured of nonmagnetic materials, unit utilizes single bayonet based lamp to provide the required lighting pattern
- ◆ Easily relamped utilizing a standard screwdriver

## SPECIFICATIONS

Weight: 0.18 lbs. Dimensions: Length 2.12 x Width 1.68 x Height 3.38 (1.38 exposed) in.

ITEM	PART NUMBER	DESCRIPTION
1	SC-826	Screw No. 4-40x5/8, Type "B"
2	A2108	Lens Retainer
3a	A4513-1	Lens, Clear
3b	A4513-3	Lens, Green
3c	A4513-7	Lens, White
3d	A4513-11	Lens, Yellow
4	A2109-3	Gasket
5a	LP1680	Lamp, 32 C.P., 6v
5b	LP1683	Lamp, 32 C.P., 28V
5c	GE1777	Lamp, 26 C.P., 12.8V
5d	MS35478-315	Lamp, 32 C.P., 28V
6	A3510	Base & Lampholder Assembly
7	A2351-1	Terminal
8	A2353A	Terminal Guide
9	A1783	Spring
10	A4149	Insulator
11	A1111	Nut

***We never stop looking for new processes, products and methods***

*Our Research and Development teams are constantly evaluating new light sources, from metal halide high intensity discharge lamps to micro-processor-based "smart" landing lights.*

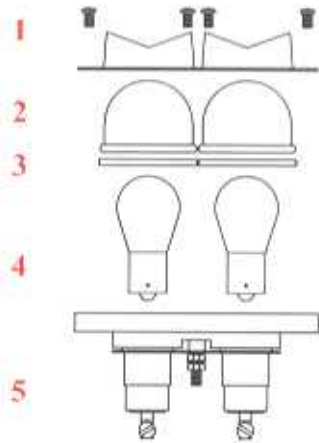
# 36260 TAIL POSITION LIGHT



- ◆ FAA-TSO-C30b
- ◆ Used on Jetstream 41
- ◆ Dual lamp design for dispatch reliability
- ◆ Colored lenses also available
- ◆ Explosion proof per MIL-STD-810, Method 511, procedure I

## SPECIFICATIONS

Weight: 0.50 lbs. Length 3.88 x Width 1.75 x Height 3.06 inches.

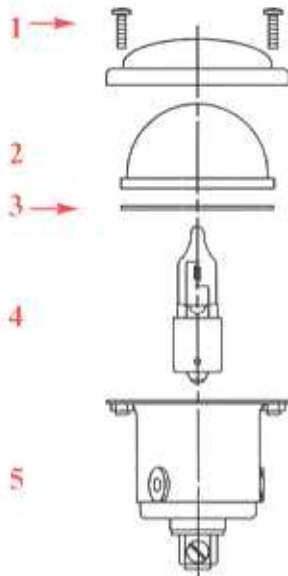


ITEM	PART NUMBER	DESCRIPTION
1a	A7916	Retainer (-1, -2, -6, -12, -13)
1b	A7916-1	Retainer (-11)
1c	A7913-1	Retainer (-7, -8, -9, -10)
1d	31-0402-1	Retainer (-3, -4, -5, -15)
2a	A4513-1	Lens: Clear
2b	A4513-2	Lens: Red
2c	A4513-5	Lens: Yellow
3a	A2109-6	Gasket
3b	A2109-3	Gasket (-11)
3c	A2109-9	Gasket (-12, -13)
4a	LP1680	Lamp, 6V (-4)
4b	LP1683	Lamp, 28V
4c	MS35478-307	Lamp, 28V (-15)
5a	A7909A	Base Assy. (-1, -2, -6, -12, -13)
5b	16054	Base Assembly (-7, -8, -9, -10)
5c	16054-1	Base Assy. (-3, -4, -5, -11, -15)
5d	16054-3	Base Assy. (-14)



## 30-2368

## TAIL POSITION LIGHT



- ◆ Meets requirements of FAA-TSO-C30c Type III rear position lights
- ◆ Used on Gulfstream GIV, GV
- ◆ Lightweight, vibration-isolated assembly
- ◆ Utilizes a 2000 hour halogen lamp

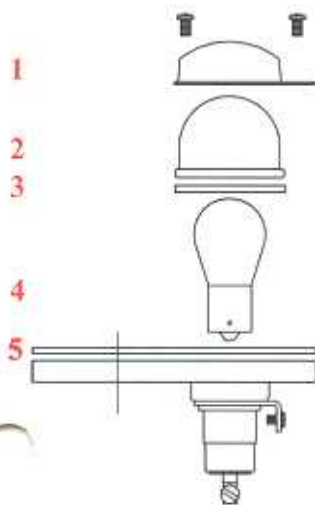
**SPECIFICATIONS**

Weight: 0.26 lbs. Length 3.40 x Width 2.00 inches.

ITEM	PART NUMBER	DESCRIPTION
1	MS35206-216	Screw, #4-40 x 7/16"
2	10451-23	Lens, Avn. White Non-diffusing Clear
3	A8942-1	Gasket
4	55-2181-7	Lamp, 28V, 35W, 1.35 Amps, 50MSCP
5	30-0116-1	Retainer

## 30-0551

## TAIL POSITION LIGHT



- ◆ Used on Cessna Citation I, II, III, and 550/560
- ◆ Lightweight, dual tail light assembly
- ◆ Flashtube anti-collision light kit also available

**SPECIFICATIONS**

Weight: 0.55 lbs. Length 3.80 x Width 1.75 x Height 1.00 inches.

ITEM	PART NUMBER	DESCRIPTION
1	A7913-5	Lens Retainer
2	A4513-1	Lens
3	A7914-1	Gasket
4a	MS36478-1683	Lamp, 28V
4b	MS35478-1073	Lamp, 12.8V
5	A9669A3	Gasket
not shown	30-0552-3	Kit (Flashtube Light Assembly)

## 30-0516

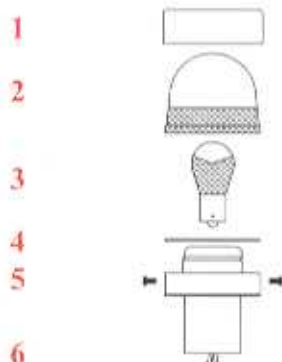
## TAIL POSITION LIGHT



- ◆ FAA-TSO-C30b
- ◆ Used on Aerocommander 520, 560; Beech A56, A60, A65, B50, B55, C50, C90, D50, D95; Cessna T33, 310, 320, 336, 337, 340, 401, 402, 411, 414, 421 & Mitsubishi MU-2
- ◆ Type II Rear Position Light
- ◆ Dual function assembly provides both rear strobe & rear position light requirements

## SPECIFICATIONS

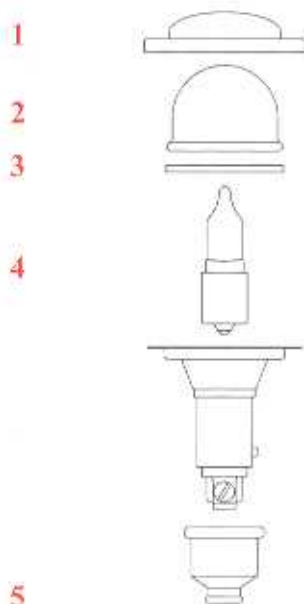
Weight: 0.72 lbs. Length 3.91 x Width 2.54 inches.



ITEM	PART NUMBER	DESCRIPTION
1	31-1781-1	Retainer
2a / b	22876-25 / -27	Lens / (30-0516-9 & 30-0516-11 only)
3a / b	633 / 678	Lamp 13V, 1.52 Amp / 28V, 0.8 Amp
4	31-1780-1	Gasket
5	55-0206-13	Screw #4-40x1/4"
6a	31-1748-1	Light Subassembly (30-0516-1 & -3)
6b	31-1748-3	Light Subassembly (30-0516-5 & -7)
6c	31-1748-7	Light Subassembly (30-0516-9 & -11)

## 30-2382

## TAIL POSITION LIGHT



- ◆ Meets requirements of FAA-TSO-C30b for Type III rear position lights
- ◆ Used on Lear 45, Cessna Citation X
- ◆ Utilizes the same 1200-hour lamp as our 30-2366 position lights



## SPECIFICATIONS

Weight: 0.25/0.28 (-7 only) lbs. L 2.17 x W 1.67 x H 1.22 exposed/2.20 recessed in.

ITEM	PART NUMBER	DESCRIPTION
1	A2108	Retainer
2	A4513-1T	Lens
3	A2109-6	Gasket
4a / b	55-2181-7 / 55-2471-1	Lamp (-1, -3, -5) / Lamp (-7)
n/s	n/a	No. 6-32 Terminal Screws
5	60-2517-1	Boot

# 30-2397

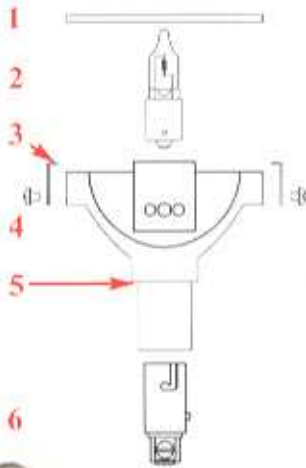
## RECOGNITION FLOODLIGHT



- ◆ Used on Gulfstream GIV, GV
- ◆ 2000 hour halogen lamp provides 17,000 candle power in an 8x8 beam spread
- ◆ Lightweight unit designed for installation in the wing tip as a recognition light

### SPECIFICATIONS

Weight: 0.27 lbs. Length 3.77 x Width 3.35 x Height 1.85 inches.



ITEM	PART NUMBER	DESCRIPTION
1	25-1764-23	Lens
2	55-2181-7	Lamp 28V, 35W
3a	60-4962-1	Clip (side)
3b	60-4962-3	Clip (end)
4	MS51957-25	Screw #6-32
5	31-7918-1	Housing, Reflector
6	LH-138	Lampholder



Honeywell Lighting & Electronics' production facility and administrative offices located in Urbana, Ohio

Lighting & Electronics has designed and manufactured aircraft lighting products for more than 70 years. We have developed complete systems for virtually every configuration of fixed-wing and rotary aircraft.

*From tail navigation strobes to cockpit lights...*

*Windshield wiper systems to passenger information signs...*

We provide the interior and exterior systems that light up the sky.

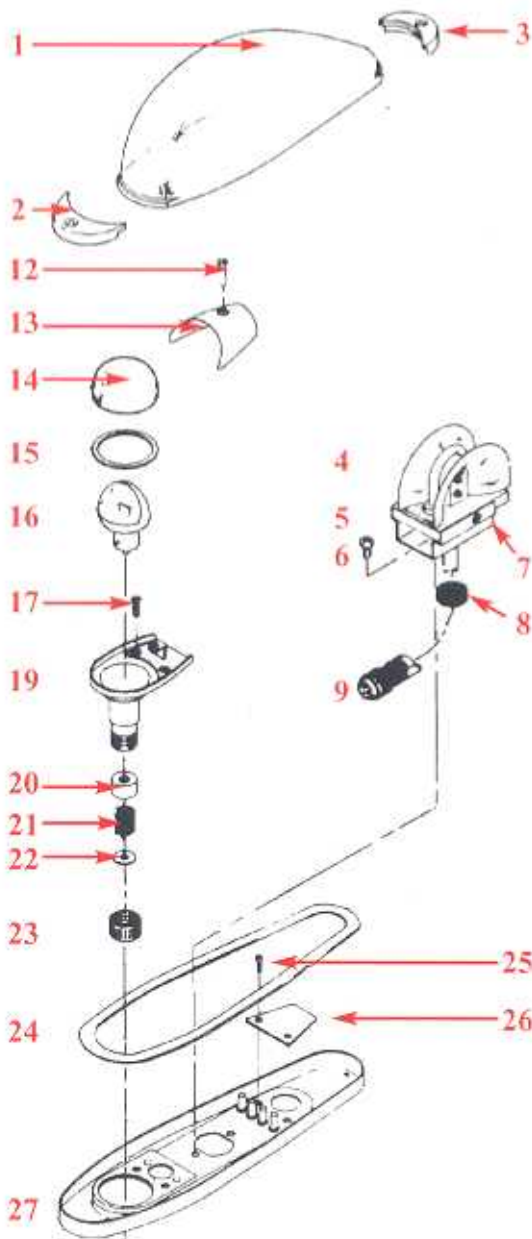
# 30-1085 ANTI-COLLISION & NAVIGATION LIGHT



- ◆ FAA-TSO-C30b
- ◆ Used on Citation II, III, Cessna 414, 421, 425, 441, 550 & 560; Piper Navajo 31-310, 31-325 & Chieftain 31-350; IAI Westwind
- ◆ Explosion proof per MIL-STD-810, method 511, procedure I
- ◆ Exceeds anti-collision light requirements per FAR 23
- ◆ Available with forward & aft facing incandescent position and strobe lights.

## SPECIFICATIONS

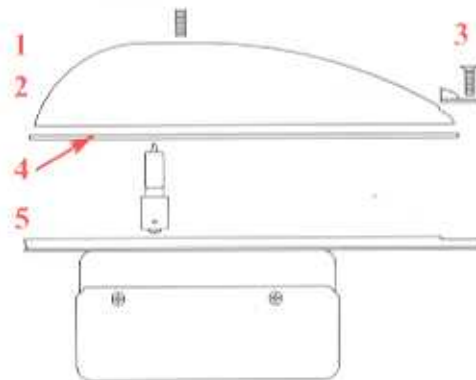
Weight: 1.27 - 1.93 lbs. Length 10.00 x Width 2.62 x Height 3.36 in.



- indicates item not illustrated

ITEM	PART NUMBER	DESCRIPTION
1	25-0869-23	Lens
2	31-3699-1	Retainer
3	31-3700-1	Retainer
4	31-3172-11	Strobe Light Assy.
5	31-3701-1	Support
6	MS35206-227	Screw, Machine
7	MS24693S25	Screw, Machine
8	MS35489-6	Grommet
9	MS3106R10SL3P	Connector
-10	30-0009-42	Light Assy. (Avn. Red)(use on -1)
-11	30-0009-43	Light Assy. (Avn. Green)(-2)
12	MS24693S30	Screw, Machine
13	31-0745-1	Shield
14a / b	A1280-2 / -3	Lens, Avn. Red / Avn. Green
15	A1257A	Gasket
16a	628	Lamp, 26.5V
16b	A7512-24	Lamp, 28V
17	MS24693S27	Screw, Machine
-18	30-0009-33	Base Assembly (includes 20-24)
19	30-0009-23	Base Assembly
20	A4490-3	Terminal Assembly
21	A1783	Spring
22	A4149	Insulator
23	A1111	Conduit Nut
24	31-3697-1	Gasket
25	MS35206-227	Screw, Machine
26	31-3742-1	Plate
27	31-3695-1	Mounting Plate Assembly

## 30-2140 NAVIGATIONAL LIGHT



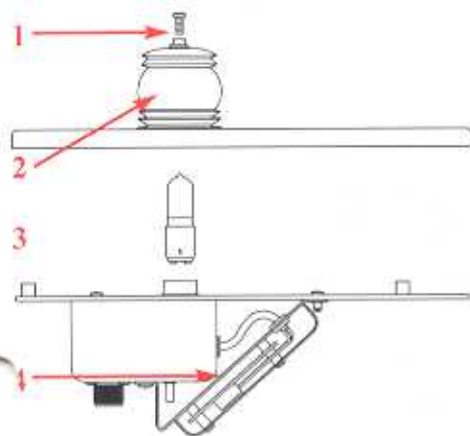
- ◆ Used on Citation II, Citation 550/560, Gulfstream GV
- ◆ Flashing Navigational Light designed for ground operations
- ◆ Utilizes a long life 2000 hour halogen lamp
- ◆ Self-contained unit

### SPECIFICATIONS

Weight: (-1) 2.50 lbs., (-3) 1.98 lbs., (-7 & -9) 1.60 lbs. Length 9.96 x Width 2.385 exposed, 2.25 installed inches. Lamp 28V, 150W.

ITEM	PART NUMBER	DESCRIPTION
1	13731-3	Screw
2	D9961-3	Cover (Red)
3	12613-1	Lens Retainer
4	10638	Gasket
5	LP1982SP	Lamp

## 30-2647 FLASHING ANTI-COLLISION BEACON



- ◆ Used on Beech, Cessna, Gulfstream, Lear, Jetstream & Falcon aircraft currently using a Grimes oscillating beacon
- ◆ FAA-TSO-C96a
- ◆ No moving parts!
- ◆ Lightweight unit designed to replace the original Grimes oscillating beacons used on a variety of aircraft
- ◆ Utilizes a 1200-hour halogen lamp

### SPECIFICATIONS

Weight: 1.06 lbs. Length 10.00 x Width 2.37 x Height 3.00 inches.

ITEM	PART NUMBER	DESCRIPTION
1	MS51957-25	Screw #6-32 x 2/16"
2	31-8744-1	Lens Assembly
3	55-2489-1	Lamp, 28V, 150W
4	31-8815-1	Circuit Card Assembly

# 30-1617

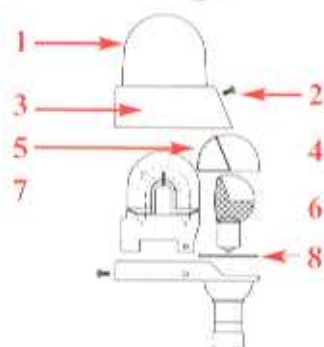
## NAVIGATIONAL POSITION LIGHT



- ◆ Used on Beech Starship
- ◆ U-shape flashtube
- ◆ Explosion proof: MIL-STD-810, method 511, procedure II
- ◆ Exceeds anti-collision light requirements in accordance w/ FAR 23

### SPECIFICATIONS

Weight: 0.92 lbs. Length 4.09 x Width 1.84 x Height 5.52 inches.



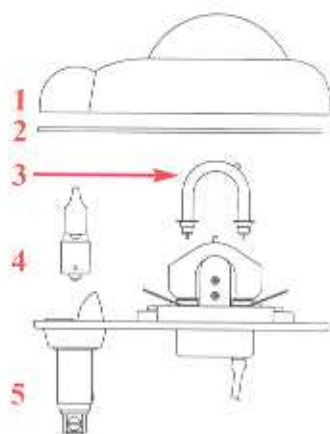
ITEM	PART NUMBER	DESCRIPTION
1	25-0809-23	Lens
2	MS51957-27	Screw
3	31-3072-1	Housing
4a / b	A1280-2 / -3	Lens, Avn. Red/Avn. Green
5	31-3375-1	Retainer
6	A7512-24	Lamp, 28V, 26W
7a / b	31-3078-19 / -21	Flashtube Assembly
8	A1257A3	Gasket

# 30-2678

## NAVIGATIONAL POSITION LIGHT



- ◆ Used on SJ30-2
- ◆ Part of 30-2736 integrated wing tip assembly
- ◆ Designed to meet the applicable requirements of FAA-TSO-C30c
- ◆ New, unique design features a "remove & replace" flashtube to reduce maintenance time and cost
- ◆ Long-life 1200-hour halogen lamp provides required position lighting



### SPECIFICATIONS

Weight: 0.99 lbs. Length 6.18 x Width 1.94 x Height 2.20 inches.

ITEM	PART NUMBER	DESCRIPTION
1a / b	31-8866-1 / -2	Lens Assembly (Avn. Red / Avn. Green)
2	31-4065-1	Gasket
3	31-8859-1	Strobe Light Assembly
4	55-2471-1	Lamp, 26.5V, 40W
5	31-8864-1	Base Assembly

# 30-1329

## NAVIGATIONAL POSITION LIGHT

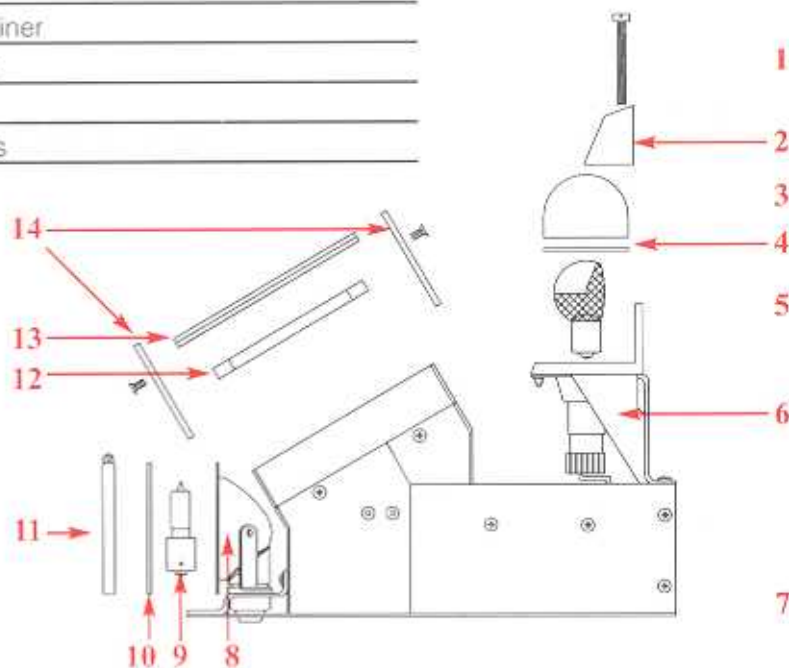


- ◆ Used on Beech Baron, King Air & Super King Air
- ◆ Combination position & strobe light
- ◆ Designed for installation in the wing tip behind the wing fairing
- ◆ Exceeds the minimum anti-collision light intensity and distribution requirements per FAR 23 & 25

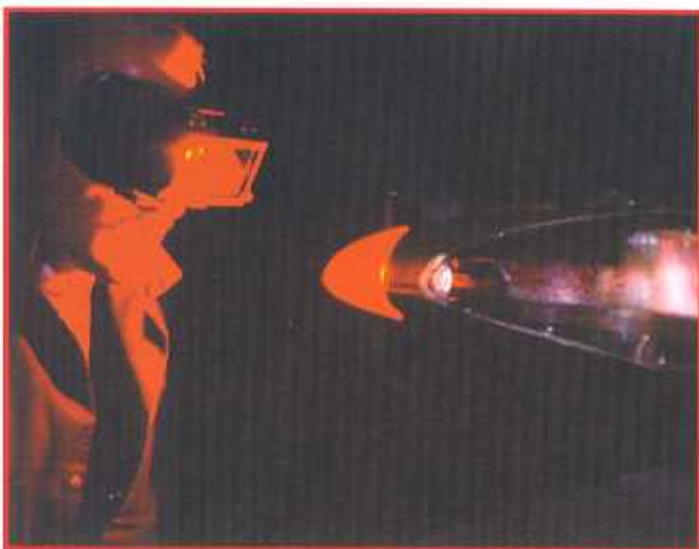
### SPECIFICATIONS

Weight: 3.50 lbs. Length 10.25 x Width 3.46 x Height 4.56 inches.

ITEM	PART NUMBER	DESCRIPTION
1	NAS388-6-16	Screw #6-32 x 1"
2	A6177	Lens Retainer
3a	A1280-1	Lens, Clear
3b	A1280-2	Lens, Red
3c	A1280-3	Lens, Green
	A1257A	Gasket
5	628	Lamp, 28V
6	A1825	Lampholder Assembly
7	31-4566-1	Light Subassembly
8	30-1414	Recognition Light
9	LP1982SP	Lamp
10	25-0907-23	Lens
11	31-3902-1	Lens Retainer
12	55-0221-1	Flashtube
13	25-0491-1	Lens
14a / b	31-4851-1 / 31-4852-1	End Plates



*Lighting & Electronics employees are dedicated to excellence.*

**HONEYWELL'S DEDICATION TO EXCELLENCE**

Our people are always willing to do whatever is necessary to provide the best lighting application possible...advancing the state-of-the-art to assure that every light, on every aircraft, is a 'Grimes' light. That's why it's not unusual to find our engineers and sales representatives in customers' buildings at midnight or 1 am, participating in testing emergency lighting systems to assure compliance to all FAA regulations.

Our reputation for high performance is second to none. Put us to the test - see how our design and development expertise, complete in-house test facilities, advanced operating systems and unparalleled customer support can turn your vision rosier.

*Photometric testing lab measuring the luminous intensity of a dual wing-tip strobe light.*

**Honeywell Lighting & Electronics is a world leader in integrated wing tip design**

- ◆ Current wing tip designs include 737NG, 757, 777 & SJ30-2
- ◆ Integrated wing tip reduces manufacturing time as lights are fully integrated  
assembly needs only to be bolted to the wing

**Let our engineers design your next wing tip into a fully integrated assembly**

# 30-2736 INTEGRATED WING TIP ASSEMBLY

- ◆ Designed for SJ30-2
- ◆ 30-2678 light assembly included (see page 14)
- ◆ Required navigation lights & lens assemblies designed and integrated into the wing tip assembly

**SPECIFICATIONS**

Weight 3.2 pounds maximum

Length 22.13 x Width 2.56 x Height 8.30 inches





## 30-0538

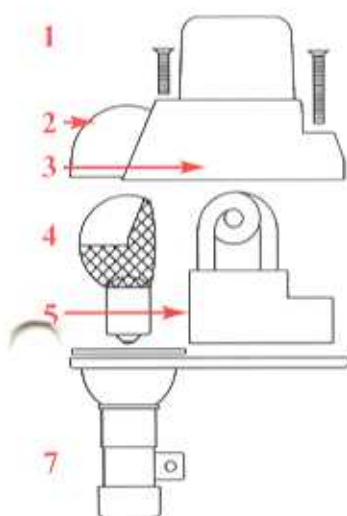
## STROBE LIGHT



- ◆ FAA-TSO-C30b
- ◆ Used on BAe 125 Series
- ◆ Combines a white strobe light and required color-coded navigation light
- ◆ Utilizes a heat resistant glass lens (class B, per MIL-C-7989, color per MIL-C-25050)
- ◆ Light coverage meets the requirements of FAR 23.1385
- ◆ Strobe light intensity of 100 effective candle power minimum
- ◆ Navigation Light lamps available w/ input voltages from 12V - 28V

## SPECIFICATIONS

Weight: 0.44 lbs. Length 3.87 x Width 1.75 x Height 4.43 inches.



ITEM	PART NUMBER	DESCRIPTION
1	25-0593-23	Lens
2a / b	A1280-2 / -3	Lens, Red / Green
3	31-2060-1	Retainer
4a	A7512-12	Lamp, 14V, 26W
4b	A7512-24	Lamp, 28V, 26W
4c	628	Lamp, 26.5V, 26W
5a	31-2059-11	Light Subassembly (30-0538-7, -8)
5b	31-2059-1	Light Subassembly (-1, -2, -3, -4, -14, -15)
6	A1257A	Gasket
7	31-1795-1	Base Assembly

## 30-1136

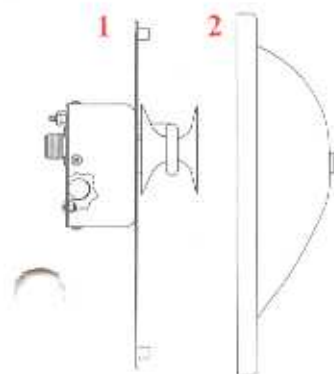
## STROBE LIGHT



- ◆ Used on Falcon 10, 50, 900, 900EX and IAI Astra, 1125 Westwind and Galaxy
- ◆ Lightweight fuselage or empennage mounted strobe light assembly
- ◆ Exceeds minimum anti-collision light intensity & distribution req't's of FAR 23 & 25
- ◆ Explosion proof per MIL-STD-810, method 511, procedure II

## SPECIFICATIONS

Weight 1.32 lbs. Length 10.2 x Width 2.41 x Height 2.66 inches.



ITEM	PART NUMBER	DESCRIPTION
1	31-4036-1	Light Subassembly
2	31-4175-3	Lens Assembly

**45-0148****RETRACTABLE LANDING LIGHT**

- ◆ PAR 46
- ◆ Used on Cessna 421/425/441, Citation I/II
- ◆ Flush mounting

**SPECIFICATIONS**

Weight: 4.40 pounds. Length 11.75 x Width 6.60 x Depth 3.25 inches.

**45-0350****RETRACTABLE LANDING LIGHT**

- ◆ Used on Cessna 650
- ◆ New Micro-processor controlled landing light
- ◆ Self-diagnostic circuit checks for proper operation
- ◆ In event of jammed condition, automatic shutdown prevents damage
- ◆ Automatic light angle repositioning
- ◆ Form-fit replacement for the 45-0213-1/3 assemblies

**SPECIFICATIONS**

Weight: 6.00 pounds. Length 10.5 x Diameter 8.00 inches x Depth 4.5 inches.

**45-0339****HELICOPTER SEARCH LIGHT**

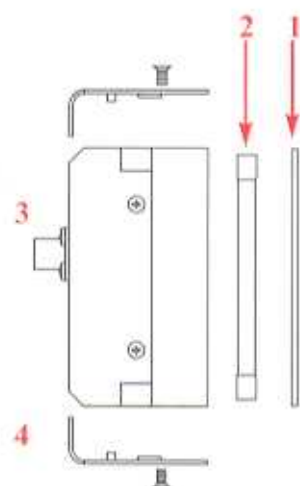
- ◆ Par 46, 450 Watt lamp
- ◆ Replaces Grimes' original G6250-4 & 45-0128-1 search lights installed on Bell 212, 214, 222 & 412 helicopters
- ◆ New solid state circuitry
- ◆ Sealed gear box with improved lubrication
- ◆ Metal vs. plastic gears
- ◆ "Remove and replace" relays facilitate field maintenance

**SPECIFICATIONS**

Weight: 6.62 pounds. Length 12.12 x Width 6.35 x Height 4.18 inches.

## 30-1331

## STROBE LIGHT



- ◆ Used on Beech A100, B100, BE200, F33, B55 & B60
- ◆ Lightweight unit designed for installation in a wing tip cutout and/or in the tail cone
- ◆ Utilizes "remove and replace" flashtube, parabolic reflector & aviation white lens
- ◆ Exceeds minimum anti-collision light intensity & distribution req'ts of FAR 23 & 25
- ◆ Explosion proof requirements of MIL-STD-810, method 511, procedure II

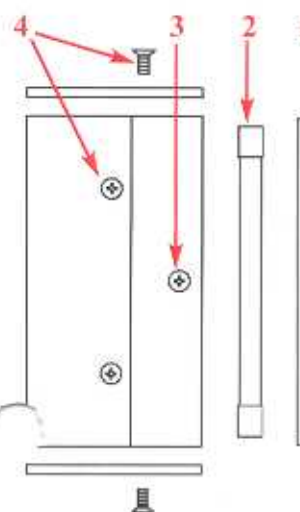
## SPECIFICATIONS

Weight: 0.70 lbs. Length 4.5 x Width 2.95 x Height 2.02 inches.

ITEM	PART NUMBER	DESCRIPTION
1	25-0491-1	Cover
2	55-0221-1	Flashtube
3a	31-3792-7	Light Subassembly (-1, -3, -5)
3b	31-3792-15	Light Subassembly (-7, -9)
4a	31-3920-1	Bracket (-1, -3, -5)
4b	31-3908-1	Bracket (-3 only)
4c	31-3909-1	Bracket (-5 only)

## 30-1994

## STROBE LIGHT



- ◆ Used on Gulfstream GII, GIII, GIV
- ◆ Designed for installation in a wing tip cutout, and/or in the tail cone
- ◆ Consists of a "remove and replace" flashtube, parabolic reflector and aviation white lens; mounted in a rectangular housing
- ◆ Exceeds minimum intensity and distribution req'ts of FAR 25.1401, amendment 25-41
- ◆ Explosion proof requirements of MIL-STD-810, method 511, procedure II

## SPECIFICATIONS

Weight: 0.80 lbs. Length 4.50 x Width 2.02 x Height 2.98 inches.

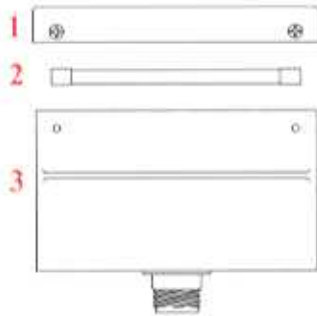
ITEM	PART NUMBER	DESCRIPTION
1	25-1375-1	Lens, Clear
2	55-0221-11	Flashtube
not shown	31-6947-1	Trigger Clip
3	MS51863-21	Screw, No.6-32x1/4" LG PAN HD STL Type TT
4	MS35206-228	Screw, No.6-32x3/8" LG PHIL HD STL

## 30-2446

## STROBE LIGHT



- ◆ Used on Gulfstream GV
- ◆ Lightweight dual flashtube unit installs in a wing tip cutout and/or in the tail cone
- ◆ Utilizes two "remove and replace" flashtubes for dispatch reliability. When used with the 60-4943 power supply, the secondary flashtube will illuminate if the primary flashtube fails, providing system redundancy
- ◆ Exceeds minimum anti-collision light intensity & distribution req'ts of FAR 23 & 25
- ◆ Explosion proof per requirements of MIL-STD-810, method 511, procedure II



## SPECIFICATIONS

Weight: 1.53 lbs. Length 5.53 x Width 3.03 x Height 3.30 inches.

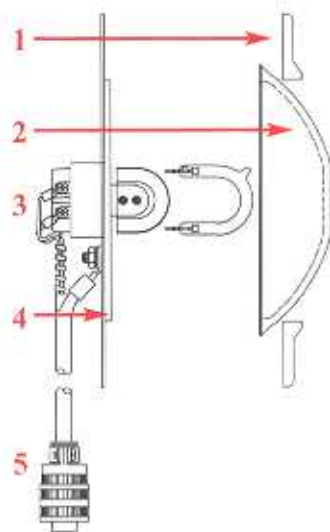
ITEM	PART NUMBER	DESCRIPTION
1	31-8021-1	Lens Assembly
2	55-2293-1	Flashtube
3	31-8023-1	Light Subassembly

## 30-2273

## STROBE LIGHT



- ◆ Used on Beech 1900
- ◆ Designed for installation on exterior of the wing tip to provide 360° field of coverage
- ◆ Exceeds minimum anti-collision light intensity & distribution req'ts of FAR 23 & 25
- ◆ Explosion proof per requirements of MIL-STD-810, method 511, procedure II



## SPECIFICATIONS

Weight: 0.86 lbs. Length 7.66 x Width x 1.84 x Height 1.75 inches.

ITEM	PART NUMBER	DESCRIPTION
1	31-3929-1	Lens Retainer
2	25-0908-21	Lens
3	55-2199-3	Flashtube
4	31-8438-1	Light Subassembly
5	31-7375-3	Cable Assembly (-3 & -7)

**60-2799****STROBE POWER SUPPLY**

- ◆ FAA-PMA
- ◆ Used on Cessna 414, 421, 425, 441 & Citation 550, 560; IAI Westwind
- ◆ Lightweight strobe power supply
- ◆ Flashrate  $50 \pm 10$  per minute
- ◆ Explosion proof per MIL-STD-810, method 511, procedure II

**SPECIFICATIONS**

Weight: 2.70 lbs. Length 5.6 x Width 5.0 x Height 3.03 inches.

**60-3742****STROBE POWER SUPPLY**

- ◆ Used on Cessna 650 series
- ◆ Provides strobe light timing pulses  $50 \pm 5$  pulses per minute
- ◆ Output power  $34 \pm 2$  Joules
- ◆ Explosion proof per MIL-STD-810, method 511, procedure II

**SPECIFICATIONS**

Weight: 3.00 lbs. Length 7.37 x Width 4.37 x Height 2.54 inches.

**60-4943****STROBE POWER SUPPLY**

- ◆ Used on Gulfstream GV
- ◆ Lightweight unit with a flashrate of  $47 \pm 5$  flashes per minute
- ◆ Explosion proof per MIL-STD-810, method 511, procedure II
- ◆ Use with 30-2446-1 Strobe Light

**SPECIFICATIONS**

Weight: 2.60 lbs. Length 4.50 x Width 4.53 x Height 4.46 inches.

# 70-0196

## SOLID STATE FLASHER



- ◆ FAA-PMA
- ◆ Used on Cessna 650 series & Piper Cheyenne series
- ◆ 28 VDC input 1.0 to 5.5 Amps
- ◆ Flash rate 85±10 flashes per minute

### SPECIFICATIONS

Weight 0.70 lbs. Length 2.90 x Width 2.12 x Height 2.00 inches.

## LANDING & TAXI LIGHTING PRINCIPLES SEALED BEAM LAMPS

Lighting performance, output distribution and intensity, are dependent on the sealed beam lamp design and construction. Design and construction features include bulb size, filament configuration and orientation with respect to the reflector, glass lens surface and color, and resultant electrical parameters. Hermetically sealed beam parabolic reflector (PAR) type lamps are designated by a number signifying bulb size equivalent to 1/8 diameter. See chart below regarding Landing & Taxi Lights included in this catalog.

PAR Number	Depth (inches)	Diameter (inches)
PAR 46	4	5 3/4
PAR 36	2 3/4	4 1/2



*Using a digital camera, a Grimes technician records & stores the image of a problem helicopter search light on a PC. The image is then color plotted, printed or e-mailed for analysis. By examining repair trends, we can be proactive both in determining potential parts problems and in designing solutions.*

# 45-0395

## SOLID STATE RELAY



- ◆ Replaces electro-mechanical lamp relay assembly used on various landing & search light applications (G5400)
- ◆ No moving parts to wear out!
- ◆ Highly reliable solid-state electronics
- ◆ Easy to field retrofit
- ◆ Kits available to facilitate field installation on various aircraft platforms

### SPECIFICATIONS

Weight 0.25 lbs. 28 VDC only, 97 Amp nominal load current, 180 Amp inrush limit.

## 45-0148 RETRACTABLE LANDING LIGHT



- ◆ PAR 46
- ◆ Used on Cessna 421/425/441, Citation I/II
- ◆ Flush mounting

### SPECIFICATIONS

Weight: 4.40 pounds. Length 11.75 x Width 6.60 x Depth 3.25 inches.

## 45-0350 RETRACTABLE LANDING LIGHT



- ◆ Used on Cessna 650
- ◆ New Micro-processor controlled landing light
- ◆ Self-diagnostic circuit checks for proper operation
- ◆ In event of jammed condition, automatic shutdown prevents damage
- ◆ Automatic light angle repositioning
- ◆ Form-fit replacement for the 45-0213-1/-3 assemblies

### SPECIFICATIONS

Weight: 6.00 pounds. Length 10.5 x Diameter 8.00 inches x Depth 4.5 inches.

## 45-0339 HELICOPTER SEARCH LIGHT



- ◆ Par 46, 450 Watt lamp
- ◆ Replaces Grimes' original G6250-4 & 45-0128-1 search lights installed on Bell 212, 214, 222 & 412 helicopters
- ◆ New solid state circuitry
- ◆ Sealed gear box with improved lubrication
- ◆ Metal vs. plastic gears
- ◆ "Remove and replace" relays facilitate field maintenance

### SPECIFICATIONS

Weight: 6.62 pounds. Length 12.12 x Width 6.35 x Height 4.18 inches.

# D7585

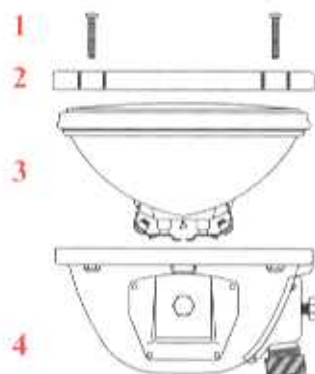
## FIXED LANDING & TAXI LIGHT



- ◆ FAA-PMA
- ◆ PAR 46
- ◆ Used on Cessna Citation II, III, 550 & 560; Lear 31, 60
- ◆ Equipped with mounting brackets permitting either vertical or horizontal mounting
- ◆ Available in a variety of configurations, providing a wide selection of mounting arrangements, lamp beam spreads and intensities
- ◆ Provisions for electrical connections are provided either by pigtail leads through sealed connections or by AN or MS connectors

### SPECIFICATIONS

Weight: 1.4 lbs. Length 5.9 x Width 5.9 x Height 3.8 inches.



ITEM	PART NUMBER	DESCRIPTION
1	MS35206-233	Screw
2	B6492	Lamp Retainer
3a	LP4570	Lamp, Par 46
3b	MS25241-4553	Lamp, Par 46
3c	MS25241Q4681	Lamp, Par 46
4	B9185-11	Canopy Assembly

**Coming Soon...**

# 50-0292 LANDING / TAXI LIGHT



- ◆ Replaces current PAR 36 assemblies that use sealed beam lamps
- ◆ Unique reflector design facilitates the use of a 2000-hour halogen lamp that produces 98K candelas in landing mode and 34K candelas in taxi mode

### SPECIFICATIONS

Weight: 0.89 lbs. Length 4.75 x Width 4.75 x Height 2.43 inches.



# 50-0312

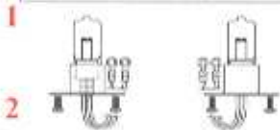
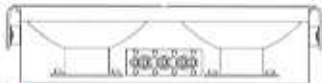
## LANDING LIGHT



- ◆ Used on Ayres Loadmaster LM200
- ◆ New lightweight dual halogen lamp design
- ◆ Utilizes two PAR 36 reflectors and two 1950 hour halogen lamps to provide 170,000 candle power illumination

### SPECIFICATIONS

Weight: 0.75 lbs. Length 8.15 x Width 2.0 x Height 4.18 inches.



ITEM	PART	NUMBER DESCRIPTION
1	51-0783-1	Lamp Assembly (28V, 150W)
2	MS35206-227	Screws

# B4150 / 50-0139

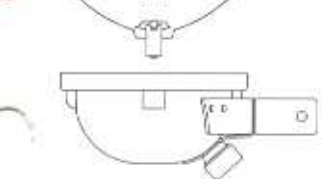
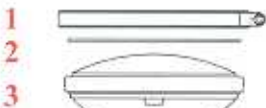
## LANDING / TAXI LIGHT



- ◆ FAA-PMA
- ◆ PAR 36
- ◆ Used on Beech A100, B100, BE200, F33, B55, B60, B76; Cessna 340, 402, 404, 414, 421, 425, 441; Challenger 600, 601, 604; IAI Westwind; Sino Swearingen SJ 30-2
- ◆ Uses sealed beam lamps
- ◆ Available in a variety of configurations, providing a wide selection of mounting arrangements, lamp beam spreads and intensities
- ◆ Provisions for electrical connections are provided either by pigtail leads through sealed connections or by AN or MS connectors
- ◆ Equipped w/ mounting brackets permitting either vertical and/or horizontal mounting
- ◆ Alternatives include 50-0024, 50-0253, 50-0255; call for your best fit

### SPECIFICATIONS

Weight: 0.89 lbs. Length 4.75 x Width 4.75 x Height 2.43 inches.



ITEM	PART NUMBER	DESCRIPTION
1	B4209	Retainer Ring
2	51-0078-1	Gasket
3a	GE4596	Lamp, 28V, 250W
3b	GE4587	Lamp, 28V, 250W
3c	LP4626	Lamp, 28V, 150W
4	B4213B	Canopy Assembly

# 30-1011

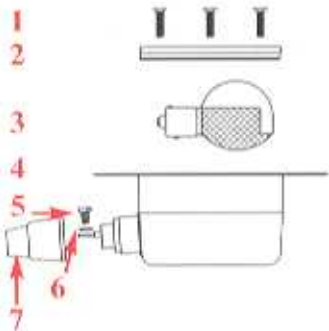
## WING INSPECTION LIGHT



- ◆ FAA-PMA
- ◆ Used on DHC-7
- ◆ Designed to illuminate the wing leading edge for ice detection
- ◆ Lightweight flush mount design

### SPECIFICATIONS

Weight: 0.35 lbs. Width 2.93 x Depth 1.97 inches.



ITEM	PART NUMBER	DESCRIPTION
1	MS24693S28	Screw, #6-32 x 1/2"
2	31-0824-1	Lens Assembly
3	A7079B24	Lamp, 28V, 40W
4	31-3526-1	Housing Assembly
5	MS35206-226	Screw, #6-32 x 1/4"
6	MS35338-41	Lockwasher
7	BT 130	Boot

# 30-0661

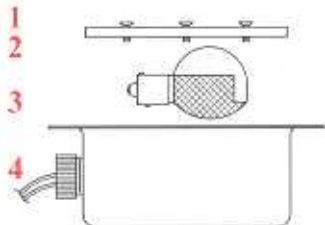
## WING INSPECTION LIGHT



- ◆ Used on Citation 550/560 series
- ◆ Designed to illuminate the wing leading edge for ice detection
- ◆ Lightweight flush mount design

### SPECIFICATIONS

Weight: 0.75 lbs. Length 5.50 x Width 5.50 x Height 2.00 inches. Lamp 28V, 40W.



ITEM	PART NUMBER	DESCRIPTION
1	MS35206-226	Screw #6-32 x 1/4"
2	31-2345-1	Lens Assembly
3	A7079B24	Lamp
4	31-2344-1	Housing Assembly

## 30-1451

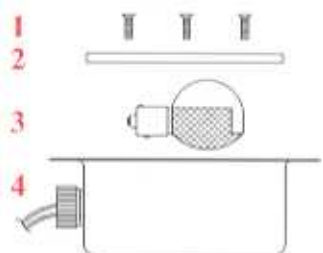
## WING INSPECTION LIGHT



- ◆ Used on Gulfstream GIII, GIV
- ◆ Designed to illuminate the wing leading edge for ice detection
- ◆ Lightweight flush mount design

## SPECIFICATIONS

Weight: 0.75 lbs. Width/Diameter 5.50 x Depth 2.50 inches.



ITEM	PART NUMBER	DESCRIPTION
1	MS24693S28	Screw, #6-32 x 1/2 LG
2	31-0871-1	Lens Assembly (Contoured Lens)
3	A7079B24	Lamp, 28V, 40W
4a	31-4888-1	Light Subassembly (LH)
4b	31-4888-2	Light Subassembly (RH)

## 30-2369

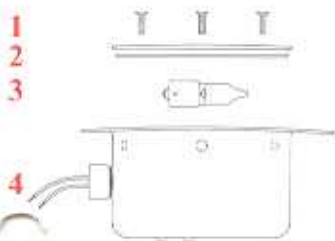
## WING INSPECTION LIGHT



- ◆ Used on Gulfstream GV
- ◆ Designed to illuminate the wing leading edge for ice detection
- ◆ Lightweight flush mount design
- ◆ Utilizes long-life halogen lamp to provide required lighting

## SPECIFICATIONS

Weight: 0.88 lbs. Width/Diameter 5.50 x Depth 2.60 inches.



ITEM	PART NUMBER	DESCRIPTION
1	MS24693-S28	Screw, #6-32 x 1/2 LG
2	31-0871-1	Lens Assembly (Contoured Lens)
3	55-2181-7	Lamp, 28V, 35W
4a	31-8117-1	Light Subassembly (LH)
4b	31-8117-2	Light Subassembly (RH)

## 30-2351

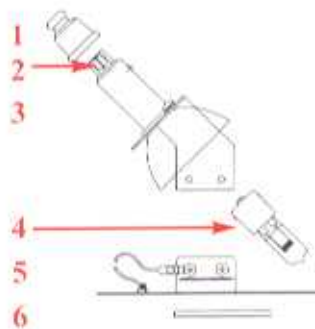
## LOGO LIGHT



- ◆ Used on Jetstream 41, Ayres Loadmaster, Bombardier Global Express
- ◆ Lightweight flush mount design
- ◆ Utilizes a 700-hour halogen lamp to light the vertical tail of the aircraft

## SPECIFICATIONS

Weight: 1.40 lbs. Length 3.15 x Width 4.72 x Height 4.00 inches. Lamp: 28 V, 150 W.



ITEM	PART NUMBER	DESCRIPTION
1	60-2517-1	Boot
2	MS35206-227	Screw
3a	LH138	Lampholder Assembly, Single Contact
3b	LH139	Lampholder Assembly, Dual Contact
4a	LP1987	Lamp, 28V, 150W
4b	55-2535-1	Lamp, 28V, 112W (30-2351-3 only)
4c	LP1982SP	Lamp, 28V, 75W
5	31-7653-13	Lanyard Assembly
6	31-7969-1	Lens Assembly

## 30-2445

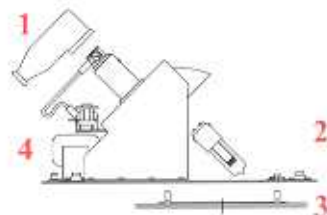
## LOGO LIGHT



- ◆ Used on Gulfstream GV
- ◆ Flush mount design
- ◆ Features an integral transformer for 115V input
- ◆ Utilizes a 700-hour halogen lamp to light the aircraft vertical stabilizer

## SPECIFICATIONS

Weight: 1.40 lbs. Length 8.00 x Width 5.50 x Height 4.50 inches.



ITEM	PART NUMBER	DESCRIPTION
1	MS25171-2S	Boot
2	LP1987	Lamp 28V, 150W
3	31-7860-1	Lens Assembly
4	55-2265-1	Transformer

## 30-1791

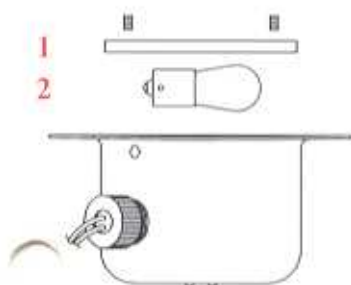
## EMERGENCY EXIT LIGHT



- ◆ Used on IAI Westwind, Astra & Galaxy
- ◆ Explosion proof per MIL-E-5272 C, paragraph 4.13.5, procedure III
- ◆ Lightweight unit designed to be installed on the aircraft exterior to provide six volt illumination at aircraft exits during loss of primary power

**SPECIFICATIONS**

Weight: 0.89 to 1.29 lbs. Length 4.90 x Width 4.90 x Height 2.43 inches.



ITEM	PART NUMBER	DESCRIPTION
1	31-5928-1	Lens Assembly (-1)
1a	31-5928-2	Lens Assembly (-2, -8)
1b	31-5928-3	Lens Assembly (-3)
1c	31-5928-5	Lens Assembly (-5)
1d	31-5928-6	Lens Assembly (-6)
1e	31-5928-7	Lens Assembly (-7)
2	GE-1317	Lamp, 6V
3	31-5926-1	Housing Assembly (-1, -2)
3a	31-5926-3	Housing Assembly (-3)
3b	31-5926-5	Housing Assembly (-5)
3c	31-5926-6	Housing Assembly (-6)
3d	31-5926-11	Housing Assembly (-7)

## 30-1767

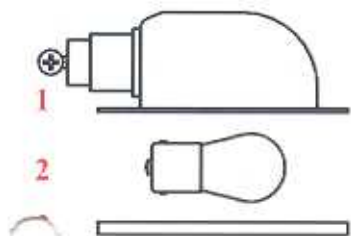
## EXIT LIGHT



- ◆ Used on Citation 525, 650, 750; Gulfstream GIV, GV
- ◆ Explosion proof per MIL-E-5272 C, paragraph 4.13.5, procedure III
- ◆ Lightweight unit designed to be installed on the aircraft exterior to provide illumination at aircraft exits

**SPECIFICATIONS**

Weight: 0.10 lbs. maximum. Length 2.20 x Width 1.50 x Height 1.11 inches.



ITEM	PART NUMBER	DESCRIPTION
1	16-1428-1	Reflector
2	MS15573-3	Lamp, 28V, 17 Amps
3	31-5843-1	Lens Assembly

## 10-0688

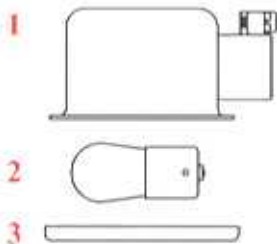
## FLOODLIGHT



- ◆ FAA-PMA
- ◆ Used on Bell 212, Canadair Challenger, Piper Cheyenne III, Citation II
- ◆ Lightweight, compact design
- ◆ To provide flood lighting in a variety of locations, utilizes a 6 or 28VDC lamp

## SPECIFICATIONS

Weight: 0.22 lbs or 0.53 lbs. for -15, -17, -19 and -21. Length 3.59 x Weight 2.56 x Height 1.61 inches.



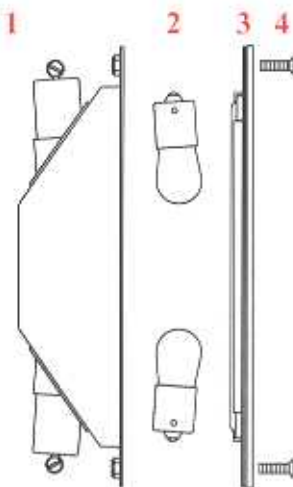
ITEM	PART NUMBER	DESCRIPTION
1	11-2724	Housing
2a	GE2233	Lamp, 28V
2b	GE1317	Lamp, 6V
3	11-2722-3	Lens Assembly

## 30555

## FLOODLIGHT



- ◆ Used on Gulfstream GIV, SJ30-2
- ◆ Dual lamp feature provides redundancy
- ◆ Provides flood lighting in a variety of locations utilizing two 28VDC lamps
- ◆ Lightweight flush mount design



## SPECIFICATIONS

Weight: 0.50 lbs. Length 6.65 x Weight 1.82 x Height 1.56 inches.

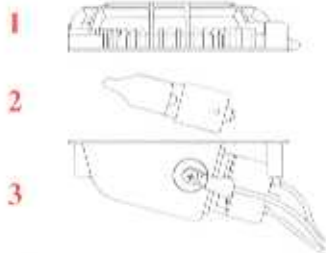
ITEM	PART NUMBER	DESCRIPTION
1a	16-0110-1	Housing Assembly, Basic (-1, -9)
1b	16-0110-5	Housing Assembly (-3, -5, -7)
1c	16-0110-11	Housing Assembly (-11)
2	MS15570-623	Lamp, 28V
3a	B5846	Lens Assy. Clear Prismatic (-1, -5, -7, -9)
3b	B5846-1	Lens Assy. Clear Frosted, Basic (-3)
3c	B5846-5	Lens Assy. Clear Prismatic (-11)
4	MS35190-238	Screw #6-32x1/2

# 15-0777 / 15-0748

## SERVICE COMPARTMENT LIGHT



- ◆ FAA-PMA
- ◆ Used on Lear 45; Ayres Loadmaster
- ◆ Lens heat resistant glass per MIL-C-7989
- ◆ Uses the same mounting hole pattern as the 15-0143
- ◆ An ideal small white floodlight designed for use in:
  - ◆ Cargo areas
  - ◆ APU/Tail Cone compartment bays
  - ◆ Wheel wells
  - ◆ E/E bays



### SPECIFICATIONS

Weight: 0.26 lbs. Length 3.19 x Width 2.16 x Height 1.95 max inches. Lamp: 28V, 35W.

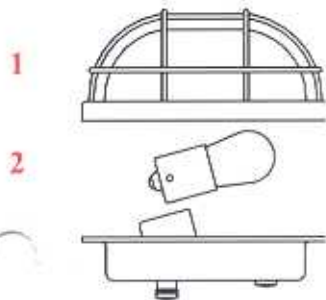
ITEM	PART NUMBER	DESCRIPTION
1	16-2467-5	Lens Assembly
2	55-2181-7	Lamp, 28V, 35W
3	16-2466-5	Light Assembly

# 30180B23D-1683

## SERVICE LIGHT



- ◆ FAA-PMA
- ◆ Used on Gulfstream GIV; Lear 45; Challenger 600, 601 & 604
- ◆ Lightweight compact design



### SPECIFICATIONS

Weight 0.39 lbs. Length 3.9 x Width 2.16 x Height 2.00 inches.

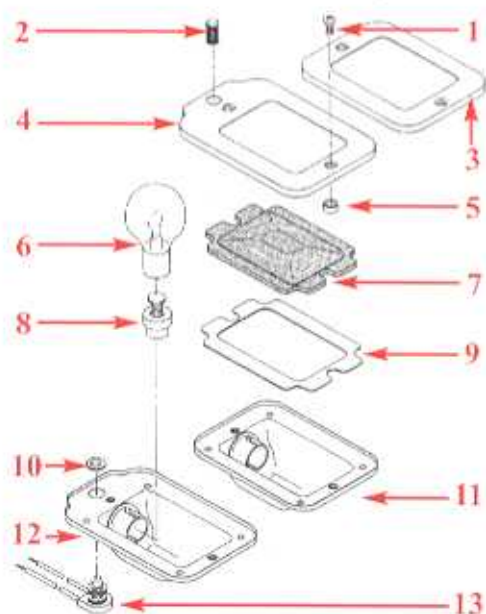
ITEM	PART NUMBER	DESCRIPTION
1	16-0454-1	Cover Assembly
2	LP1683	Lamp, 28V
3	22754B	Base Assembly

**B3550 / B3555A****DOMELIGHT**

- ◆ FAA-PMA
- ◆ Used on Mitsubishi MU-2P; Bell Helicopters; various Beech & Cessna
- ◆ Lightweight aluminum assembly
- ◆ Designed to provide recessed overhead lighting

**SPECIFICATIONS**

Weight: 0.28 lbs. Length 3.59 x Width 2.56 x Height 1.81 inches.



ITEM	PART NUMBER	DESCRIPTION
1	60-1672-1	Screw No. 6-32x1/2"
2	A5804	Knob Extension (B-3555A)
3a	A3553	Retainer - Lens
3b	A3553-2	Retainer - Lens (B-3550-5)
4	A3549A	Retainer - Lens
5	60-1673-1	Spacer
6a	MS15570-89	Lamp (G-6 Bulb, 13V, 6 C.P.)
6b	MS35478-93	Lamp (S-8 Bulb, 13V, 15 C.P.)
6c	MS35478-1141	Lamp (S-8 Bulb, 13V, 21 C.P.)
6d	MS25238-301	Lamp (G-5 Bulb, 28V, 3 C.P.)
6e	MS15570-303	Lamp (G-6 Bulb, 28V, 6 C.P.)
6f	MS35478-305	Lamp (S-8 Bulb, 28V, 15 C.P.)
6g <sup>5</sup>	GE305IF	Lamp (S-8 Bulb, 28V, 15 C.P.)
7a	A3551	Diffusing Lens, White
7b	A3551-1	Diffusing Lens, Red
7c	A3551-2	Diffusing Lens, Clear
7d	A3551-3	Non-diffusing Lens, Blue
8a	A3554	Contact Assy. (B3555A)
8b	A3554-3	Contact Assy. (-1, -7, -11)
8c	A5598	Contact Assy. (-3, -5, -9, -13)
9	A3657A	Gasket
10	60-0829-1	Bushing (B-3555A)
11a <sup>1</sup>	A3552	Reflector & Lampholder Assy.
11b <sup>2</sup>	A3552-1	Reflector & Lampholder Assy.
12a <sup>3</sup>	A3548A	Reflector & Lampholder Assy.
12b <sup>4</sup>	A3548A-1	Reflector & Lampholder Assy.
13	A3594A	Switch (B-3555A)

1 Use on all B-3550A dash No.'s except -7  
 2 Use on B-3550-7 only  
 3 Includes items 10&11 (Do not use on -1)  
 4 Includes items 10&11 (On B-3555A-1 only)  
 5 Inside Frosted

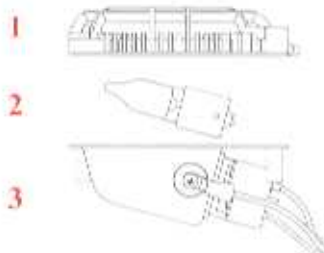


# 15-0777 / 15-0748

## SERVICE COMPARTMENT LIGHT



- ◆ FAA-PMA
- ◆ Used on Lear 45; Ayres Loadmaster
- ◆ Lens heat resistant glass per MIL-C-7989
- ◆ Uses the same mounting hole pattern as the 15-0143
- ◆ An ideal small white floodlight designed for use in:
  - ◆ Cargo areas
  - ◆ APU/Tail Cone compartment bays
  - ◆ Wheel wells
  - ◆ E/E bays



### SPECIFICATIONS

Weight: 0.26 lbs. Length 3.19 x Width 2.16 x Height 1.95 max inches. Lamp: 28V, 35W.

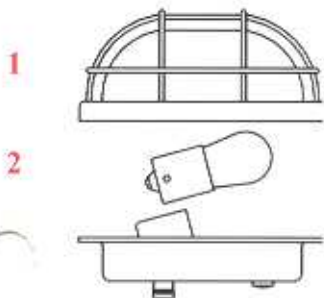
ITEM	PART NUMBER	DESCRIPTION
1	16-2467-5	Lens Assembly
2	55-2181-7	Lamp, 28V, 35W
3	16-2466-5	Light Assembly

# 30180B23D-1683

## SERVICE LIGHT



- ◆ FAA-PMA
- ◆ Used on Gulfstream GIV; Lear 45; Challenger 600, 601 & 604
- ◆ Lightweight compact design



### SPECIFICATIONS

Weight 0.39 lbs. Length 3.9 x Width 2.16 x Height 2.00 inches.

ITEM	PART NUMBER	DESCRIPTION
1	16-0454-1	Cover Assembly
2	LP1683	Lamp, 28V
3	22754B	Base Assembly

# 15-0129

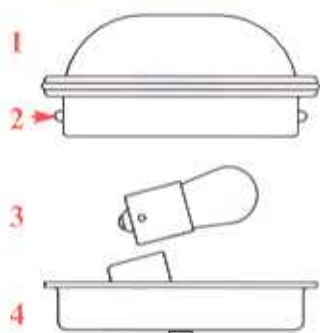
## DOMELIGHT



- ◆ FAA-PMA
- ◆ Lightweight 28 volt floodlight
- ◆ Also available with white diffusing lens
- ◆ Unique design requires no tools to replace lamp

### SPECIFICATIONS

Weight: 0.34 lbs. Length 3.25 x Width 3.25 x Depth 1.25 inches.



ITEM	PART NUMBER	DESCRIPTION
1a	B9842-4	Cover Assembly, Clear
1b	B9842-1	Cover Assembly, Avn. White Diffusing
2	A9183-1	Lens Retainer
3	GE1665	Lamp, 28V
4	16-0490-1	Housing Assembly

# 34170

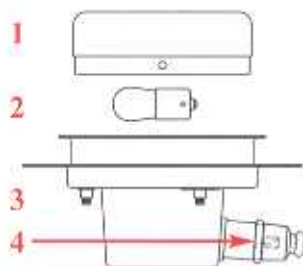
## DOMELIGHT



- ◆ FAA-PMA
- ◆ Used on Bombardier Global Express; Challenger 600, 601, 604; Gulfstream GIII, GIV; Learjet 54, 56, 60
- ◆ Lightweight dome light assembly
- ◆ Can be provided in single or double lamp configurations

### SPECIFICATIONS

Weight: 0.50 lbs. Width/Diameter 4.75 x Depth 2.52 inches.



ITEM	PART NUMBER	DESCRIPTION
1	37230-2	Lens Retainer Assembly
2	MS15570-81	Lamp, 6.5V
3	37225-1	Housing Assembly
4	60-2517-1	Rubber Nipple

# A6850

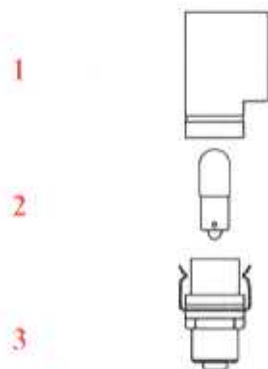
## MAP LIGHT



- ◆ FAA-PMA
- ◆ Designed to provide illumination for the instrument panel

### SPECIFICATIONS

Weight: 0.16 lbs. max. Length 2.72 x Width 1.13 inches.



ITEM	PART NUMBER	DESCRIPTION
1a	16-0255-1	Hood Assembly, Clear
1b	16-0255-3	Hood Assembly, Identification Red-Diffusing
1c	16-0255-5	Hood Assembly, White Diffusing
2	LP1495X	Lamp, 28V
3	16-0256-3	Housing Assembly

# A6745

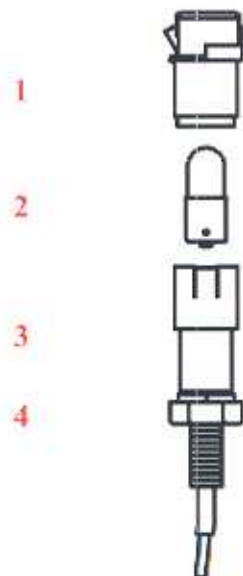
## POST LIGHT



- ◆ Used on Bell 206, 212, 214 & 230; Challenger 600, 601
- ◆ Designed to provide illumination for the instrument panel
- ◆ Red, white, clear, amber, green and NVIS lenses available

### SPECIFICATIONS

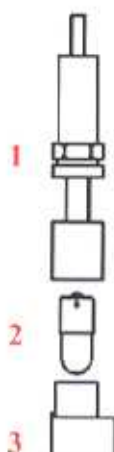
Weight: 0.05 lbs. Length 1.52 x Width 0.485 inches.



ITEM	PART NUMBER	DESCRIPTION
1a	A6747	Hood Assembly, Identification Red *
1b	A6747-1	Hood Assembly, Ident Red per MIL-L-5057
1c	A6747-2	Hood Assembly, Clear
1d	A6747-3	Hood Assembly, Aviation Red
1e	A6747-4	Hood Assembly, Inst. White
1f	A6747-5	Hood Assembly, Amber
1g	A6747-8	Hood Assembly, Soft White
1h	21-0567-1	Hood Assembly, NVIS Blue/Green
1i	21-0567-9	Hood Assembly, NVIS Green A
2	MS25237-(* )	Lamp (*varies with hood assembly chosen)
3	A6794	Lamp Housing
4	A5045	Nut

# 20-0121

## INSTRUMENT POST LIGHT



- ◆ Used on Cessna 550 & 560; Piper Cheyenne I, II & III; Sikorsky S76
- ◆ Designed to provide illumination for the instrument panel
- ◆ Red, white and clear lenses available

### SPECIFICATIONS

Weight: 0.04 lbs. Length 2.03 x Width 0.485 x Height 0.402 inches.

ITEM	PART NUMBER	DESCRIPTION
1	60-1710-1	Hex Nut
2a	MS25237-327	Lamp, 28V
2b	MS25237-330	Lamp, 14V
2c	MS25237-328	Lamp, 6V
3a	21-0230-3	Hood Assembly (Red)
3b	21-0230-5	Hood Assembly (Clear)
3c	21-0230-7	Hood Assy. (Avn. Red)
3d	21-0230-9	Hood Assy. (Inst. White)

# 36170

## COCKPIT LIGHT



- ◆ FAA-PMA
- ◆ Used on Lear 24, 25, 28, 29, 31A, 35A, 54, 55 & 56; Gulfstream GIV & GV
- ◆ Gooseneck cockpit light available in a variety of lengths
- ◆ Features a rheostat for dimming control

### SPECIFICATIONS

Weight: 0.67 lbs. Length 7.125 to 16.5 inches.

ITEM	PART NUMBER	DESCRIPTION
1a	LP1495X	Lamp, 28V
1b	GE1816	Lamp, 13V
2a	A5391	Hood (-9, -11, odds -15 through -29)
2b	A6646	Hood, Basic (-1, -2, -3, -4, -5, -6, -7, -8)
3a / b / c	A7109 / -2 / -4	Flexible Arm (7 1/8") / (9 5/8") / (16 1/2")
4	37809	Base
5a	20465-1	Rheostat, 13V
5b	20465-2	Rheostat, 28V

## 15-0007

## INCANDESCENT SPOTLIGHT

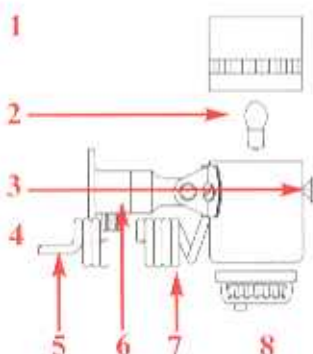


- ◆ FAA-PMA
- ◆ Cockpit utility red/white floodlight in various extension cord lengths.
- ◆ Can be provided with standard or off-set plug-in base.

## SPECIFICATIONS

Weight: 0.66 lbs. Length 3.63 x Width 1.19 x Height 4.2 inches with plug-in base.

ITEM	PART NUMBER	DESCRIPTION
1	16-0014-1	Lens Housing
2a	GE1816	Lamp 13V, 0.33 Amps
2b / c	MS25231-313 / -316	Lamp 28V, 0.17 Amps / 6V, 0.7 Amps
2d	LP1495X	Lamp 28V, 0.34 Amps
3	16-0021	Button Push
4	A8156-12	Base Mounting
5	A2812	Locking Device
6	A6690	Post
7	B7041	Cord Assembly
8	A7081-1	Knob Rheostat



## 40240-1385

## WORK TABLE LIGHT

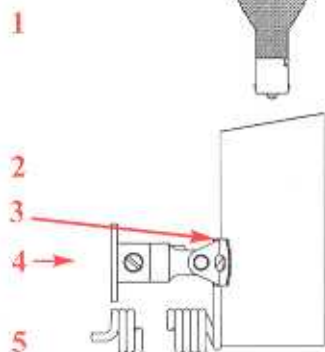


- ◆ FAA-PMA
- ◆ Used on Cessna 525, 550 & 560
- ◆ Lightweight unit can be provided with clip assembly or plug-in mounting base

## SPECIFICATIONS

Weight: 0.70 lbs. Length 4.65 x Width/Diameter 2.00 x Height 4.20 inches with plug-in base.

ITEM	PART NUMBER	DESCRIPTION
1a / b	MS35480-1 / -2	Lamp 13V / 28V
2	10735	Reflector & Lamp Housing Assembly
3	A7669-1	Bracket Assembly
4	A6693-4	Base Assembly
5	B7041-7	Cord

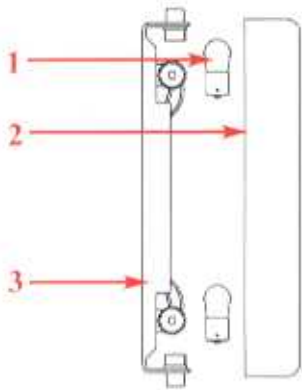


# 10-1097

## EMERGENCY EXIT SIGN



- ◆ Used on Cessna 650
- ◆ Small, compact unit
- ◆ Meets emergency lighting requirements of FAR 25.812



### SPECIFICATIONS

Weight: 0.36 lbs. Length 6.50 x Width 2.00 x Height 1.00.

ITEM	PART NUMBER	DESCRIPTION
1	MS15573-3	Lamp, 28V
2a	25-1175-1	Lens, English
2b	25-1175-5	Lens, Portuguese
3	11-4814-1	Sign Subassembly

# 10-0055

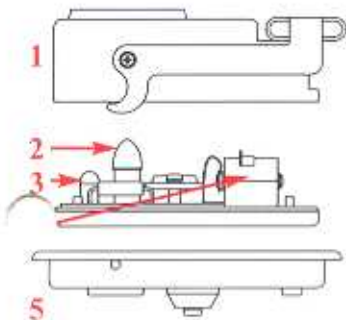
## EMERGENCY EXIT LIGHT



- ◆ FAA-PMA
- ◆ Used on Bell 205, 206, 212, 214, 222 & 230; Sikorsky CH-53; Casa 212
- ◆ Lightweight light provides emergency lighting during loss of primary power
- ◆ Mobile unit can be removed from mounting rack and carried by hand

### SPECIFICATIONS

Weight: 0.94 lbs. Length 5.24 x Width 3.30 x Height 1.84 inches.



ITEM	PART NUMBER	DESCRIPTION
1	11-0500-1	Housing Assembly
2	PR2	Lamp, 2.38V
3	MS35237-327	Lamp, 28V (2 each)
4	MISC061	Battery (2 each)
5a / b / c	11-0480-1 / -3 / -5	Mounting Rack Assembly

# 60-0304

## EMERGENCY EXIT POWER SUPPLY



- ◆ FAA-PMA
- ◆ Used on BAe 125, Hawker 800/1000
- ◆ Power supply designed to provide 20 minutes of 6 volt emergency power to illuminate exit lights during loss of primary aircraft power
- ◆ See CMMs 33-50-01(60-0304-3), 33-50-02(60-0304-31, -33, -51) for complete parts breakdown & maintenance instructions

### SPECIFICATIONS

Weight: 1.55 lbs. Length 6.74 x Width 3.86 x Height 1.96 inches.

# 60-1321

## EMERGENCY EXIT POWER SUPPLY



- ◆ FAA-PMA
- ◆ Used on Beechjet; Canadair Challenger 600, 601 & 604
- ◆ Power supply designed to provide 20 minutes of 6 volt emergency power to illuminate exit lights during loss of primary aircraft power
- ◆ See CMMs 33-50-11(60-1321-1), 33-50-42(60-1321-1, -5, -7, -1LB, -5LB, -7LB) for complete maintenance instructions

### SPECIFICATIONS

Weight: 3.50 lbs. Length 8.75 x Width 5.50 x Height 2.66 inches.

# 60-3844

## EMERGENCY EXIT POWER SUPPLY



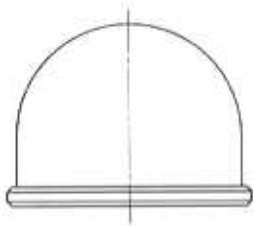
- ◆ FAA-PMA
- ◆ Used on Sino Swearingen SJ 30-2 & DHC-8
- ◆ Power supply designed to provide 20 minutes of 6 volt emergency power to illuminate exit lights during loss of primary aircraft power
- ◆ See CMM 33-50-67(-1, -1LB, -3, -3LB) for complete maintenance instructions



### SPECIFICATIONS

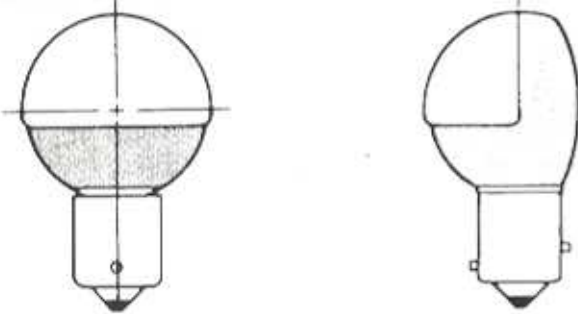
Weight: 3.60 lbs. Length 8.75 x Width 5.50 x Height 2.69 inches.

# A4513 LENS

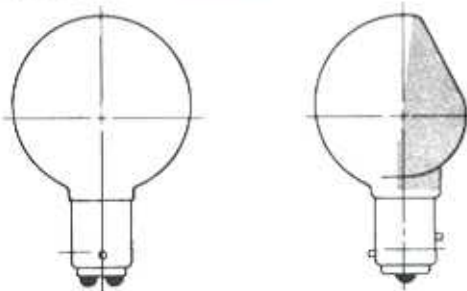


PART #	DESCRIPTION
A4513-1	Clear Lens
A4513-2	Red Lens
A4513-3	Green Lens
A4513-5	Yellow Lens
A4513-1T	Clear Lens

## TYPE GG10



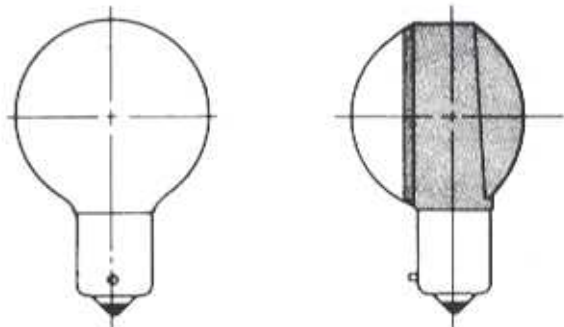
## TYPE GG12B1



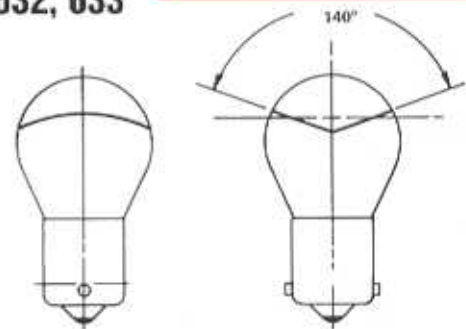
# A9906 LAMP ASSEMBLY: CONSOLE PANEL LIGHT



## TYPE GG 12A1



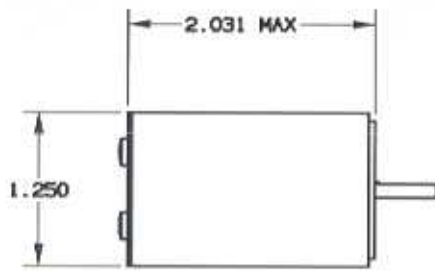
## LAMP 632, 633



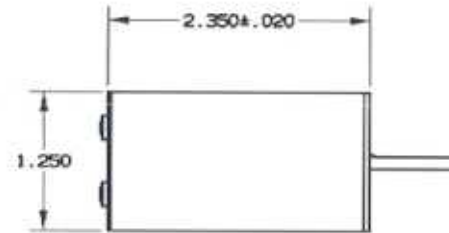
ITEM	LAMP NUMBER	DESCRIPTION	VOLTAGE	WATTS
GG12B1	626	Reflector	6.2	40
GG10	628	Reflector	26.5	26
632	632	Tail Light	28	28.6
633	633	Reflector	12.8	19.5
GG10	1512	Reflector	14	21
GG10	1524	Reflector	28	21
GG12B1	11631	Reflector	6.2	40
GG12A1	16870	Reflector	6.2	40
GG12B1	A4174-12	Reflector	14	40
GG12B1	A4174-24	Reflector	28	40
GG12A1	A7079B12	Reflector	14	40
GG12A1	A7079B24	Reflector	28	40
GG10	A7512-12	Reflector	14	26
GG10	A7512-24	Reflector	28	26



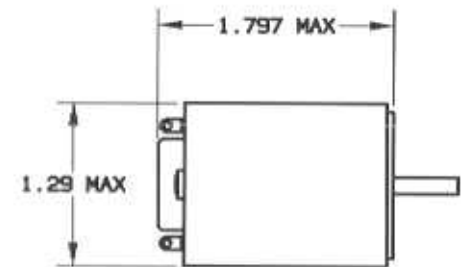
**A6458**



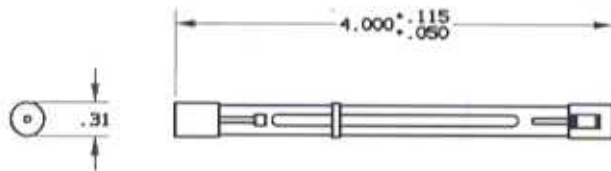
**A6532**



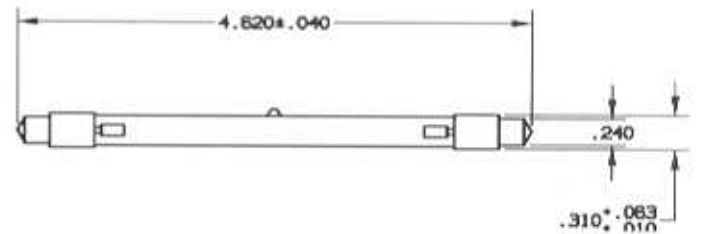
**55-0069**



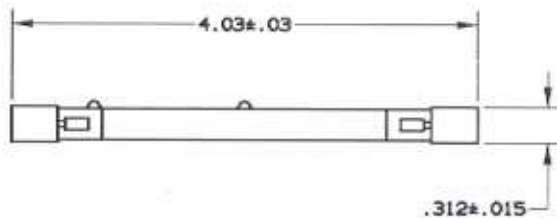
**55-0221**



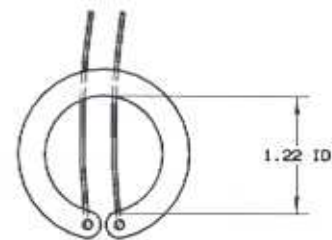
**55-0331**



**55-0723**

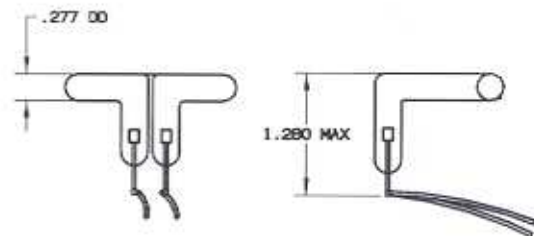


**55-0681**



**PART NUMBER DESCRIPTION**

A6458	Motor, 28V
A6532	Motor, 28V
55-0069-1	Motor, 28V
55-0221-1	Strobe Tube (Pyrex)
55-0221-5	Strobe Tube (Quartz)
55-0221-11	Strobe Tube
55-0331-3	Strobe Tube (Quartz)
55-0723-1	Strobe Tube (Quartz)
55-0681-7	Strobe Tube (Quartz)
55-1473-3	Strobe Tube (not shown)



Sorted by	Grimes Aerospace Technical Publications Index						Grimes Aerospace Company Customer Support Center						
Part Number	21-Jan-04						240 Twain Ave, Urbana, OH 43078 USA						
Part Number	Nomenclature	CMM	CMM Rev	CMM Date	SB	SB Rev	SB Date	SPB	SPB Rev	SPB Date	TIL	TIL Date	External
Technical Publications Index	Index		19	21-Jan-04									
10-0027-1, -3, -5, -7, -9, -11, -13, -15, -17, -19, -21, -23, -35, -39, -41, -43, -49	Passenger Reading Light	33-20-01	3	01-Jun-00									
10-0031-1A, -1B, -1C, -1D, -1E, -1F, -1G, -1J, -2, -3, -5, -6, -7, -8, -9, -11, -13, -15	Threshold Light	33-30-25		15-Feb-01									
10-0031-1A, -1B, -1C, -1D, -1E, -1F, -1G, -1J, -2, -3, -5, -6, -7, -8, -9, -11, -13, -15	Threshold Light							00044		15-Jan-02			
10-0035-1, -2	Stairway Tread Light	33-24-03	1	15-Apr-00									
10-004-1, -2, -3, -4, -5, -6, -7, -8, -14	Interior Illuminated Passenger Information Sign	33-21-53	00	15-Feb-03									
10-0046-1A, -1B, -1C, -1D, -1E, -1F, -1G, -1H, -1J, -1K, -2, -2A, -3, -5	Attendant Work Light	33-20-86		15-Feb-01									
10-0050	Reading Light										120	07-Jun-82	
10-0050-1, -2, -5, -6, -7, -15, -17, -20, -29, -37, -38, -41, -43, -44, -45, -46, -51, -52, -53, -54, -55, -56, -57, -58, -59, -61, -62	Passenger Adjustable Reading Light	33-20-89	1	15-Aug-01									
10-0055	Emergency Exit Light				B5-21299	B	04-Sep-74						
10-0055	Emergency Exit Light				B5-21065								
10-0055	Reading Light										120		
10-0055-1, -3, -5, -7, -9, -11, -13, -15, -17	Emergency Exit Light	33-50-28	1	01-Jun-00									
10-0067	Emergency Exit Light				B5-21051		09-May-63						
10-0067-7, -9	Emergency Exit Light	33-50-07	5	15-Feb-03									
10-0067-7, -9	Emergency Exit Light										162	14-Nov-86	
10-0067-7, -9	Emergency Exit Light										235A	04-Jun-93	
10-0067-7, -9	Emergency Exit Light				10-0067-33-0006		28-Oct-76						
10-0067-7, -9	Emergency Exit Light				B5-21060		04-May-64						
10-0067-7, -9	Emergency Exit Light				10-0067-33-0007		29-Aug-77						
10-0067-7, -9	Emergency Exit Light				B5-21061		28-May-64						
10-0074	Emergency Light Assemblies				B5-21069		28-Dec-64						
10-0101-1	Aft Airstair Spotlight	33-30-37	-	15-Mar-01									
10-0113-3	Passenger Reading Light	33-20-53	1	15-Apr-00									
10-0114	Emergency Exit Light				B5-21285	A	28-Feb-74						
10-0114-1	Emergency Exit Sign										235A	04-Jun-93	
10-0114-1	Emergency Exit Light				B5-21191		18-Oct-72						
10-0114-1	Emergency Exit Light	33-50-76		15-Mar-01									
10-0119-1	Emergency Exit Light				B5-21114		07-Jan-69						
10-0119-1	Emergency Light				B5-21096		30-Sep-66						
10-0119-1, -3	Emergency Exit Light	33-50-05	2	15-Jun-00									
10-0178-1, -3, -7, -10, -11, -13, -14	Interior Illuminated Sign	33-20-91		15-May-01									
10-0184-1, -3, -5, -7, -9, -11, -13, -15, -17, -19, -21, -23, -25, -27, -29, -31, -33, -35, -37, -39, -41, -43, -45, -47, -49, -53, -55, -57	Illuminated Warning Sign	33-50-79		01-Jun-02									
10-0195-5, -6, -7, -8, -10, -11, -12, -13	Lavatory Mirror Light Assembly	33-20-97		01-May-03									
10-0227-1	Map Reading Light	33-10-95		01-Oct-02									
10-0257-10, -30, -70, -80	Interior Illuminated Sign	33-10-93		01-Oct-02									
10-0257-3, -7	Passenger Warning Light				B5-21120		16-Apr-69						SB modifies -3 to -30





10-0511-1, -3	Mid Cabin Service Center Light				10-0511-33-0013			15-Jun-82										Modifies -1 & -3 to -7 & -9
10-0511-1, -3, -7, -9, -105	Mid Cabin Service Center Light	33-21-07	3	01-May-82														
10-0511-3	Service Center Light				B5-21270			11-Dec-73										
10-0512-3	Dome/Cross Aisle Fluorescent Light				10-0512-33-0023			15-Jun-82										Modifies -3 to -7
10-0512-3, -5, -7	Cross Aisle Dome Light	33-21-05	3	01-May-82														
10-0513-3	Valance Sidewall Light	33-21-06	2	15-Feb-80														
10-0513-3	Sidewall Valance Light				B5-21279	A		27-Feb-74										
10-0519	Emergency Light													046				27-Oct-75
10-0519-5, -7, -9, -11	Emergency Light Assembly	33-51-11	9	01-Jun-00														
10-0519-5, -7, -9, -11	Emergency Light Assembly								00058				15-Jun-02					Battery change to 55-2556-1.
10-0519-7	Emergency Light Assembly				B5-21245			19-Jun-73										SB modifies -7 to -11
10-0523-1, -2	Aft Coffee Bar Light	33-21-08	2	15-Feb-77														
10-0524	Ordinance Sign													069				28-Jul-77
10-0524-1, -7	Cabin Attendant Ordinance Sign				10-0524-33-0008			26-Jan-78										
10-0524-1, -7	Cabin Attendant Ordinance Sign	33-29-05	1	15-Feb-77														
10-0525-1, -3, -109, -111, -113, -115, -117, -119, -121, -123, -125, -127, -129, -131, -133, -135, -137, -139, -141, -143, -145, -147, -149, -151, -155	Exit Locator Illuminated Sign	33-29-10	8	25-Sep-81														Use newest CMM for your part number (SEE PN 10-0535-())
10-0525-1, -3, -5, -107, -109, -111, -113, -115, -117, -119	Lavatories Occupied Ordinance Sign	33-29-06	3	01-Oct-82														Use newest CMM for your part number
10-0526	Reading Lights													079				16-Jan-79
10-0526	Reading Lights													091				26-Nov-79
10-0526-3, -5, -107	Hostess Reading Light	33-22-01	3	01-May-75														
10-0535														104				20-Nov-80
10-0535-1, -3, -109, -111, -113, -115, -117, -119, -121, -123, -125, -127, -129, -131, -133, -135, -137, -139, -141, -143, -145, -147, -149, -151, -153, -155	Exit Locator Illuminated Sign	33-29-10	8	25-Sep-81														
10-0540-15, -16, -19, -20, -21, -22, -25, -26, -27, -28, -29, -30, -31, -32, -137, -138, -139, -140, -141, -142, -143, -144, -145, -146	Class Divider Ordinance Sign	33-29-11	5	01-May-82														
10-0544-3, -5, -7, -109, -111, -113, -115, -117	Emergency Exit and Cross Aisle Light	33-51-04	3	15-May-76														
10-0546	Pendant Sign													069				28-Jul-77
10-0546-201, -203, -205, -207, -209, -211, -213, -215, -217	Advisory Sign Light				B5-21195			04-Dec-72										SB modifies all -2xx to -3xx
10-0546-201, -203, -205, -207, -209, -211, -213, -215, -217, -301, -303, -305, -307, -309, -311, -313, -315, -317, -319, -321, -323, -327, -333, -335, -337	Lighted Center Mounted Advisory Sign	33-29-12	2	01-Aug-73														
10-0546-313, -315, -317	Pendant Signs				B5-21242	A		01-May-73										SB modifies -313 to -333
10-0546-317	Ordinance Sign				B5-21242	A		01-May-73										SB modifies -317 to -337
10-0558-1, -2, -3, -4, -5, -6, -7, -8, -9, -10	Passenger Reading Light	33-25-00	3	30-Jun-81														
10-0558-1, -4	Passenger Reading Light				10-0558-33-0003			04-Dec-75										
10-0558-3, -4	Passenger Reading Light				10-0558-33-0004	B		26-Apr-77										Modifies -3 & -4 to 10-0826-1 & -2



10-0636-1, -2, -3, -4, -5, -6, -7, -8, -9, -10, -11, -12, -13, -14, -15, -16, -17, -18, -19, -20, -21, -22, -23, -24, -25, -26, -27, -28, -29, -30, -31, -32, -33, -34, -35, -36, -37, -38, -39, -40, -41, -42, -43, -44, -45, -46, -47, -48, -49 thru -71	Pendant Center Mounted Lighted Ordinance Advisory Sign	33-29-18	4	01-Oct-82															
10-0641-1	Valance Light				B5-21311	A	04-Feb-75												
10-0641-1	Fluorescent Valance Lighting Fixture	33-21-33		01-Nov-73															
10-0642-1, -3	Mural Light				B5-21312	B	01-Apr-75												
10-0642-1, -3, -105, -107	Fluorescent Mural Light				10-0642-33-0021		12-Aug-82												
10-0642-1, -3, -105, -107, -109, -111, -113, -115	Fluorescent Mural Lighting Fixture	33-21-32	2	01-May-82															
10-0643-1	Passenger Lavatories Occupied Interior Illuminated Sign	33-20-20		01-Aug-75															
10-0649-1, -105	Interior Illuminated Ordinance Sign	33-29-19	1	15-Apr-77															
10-0688-1, -3, -5, -7, -9, -11, -13, -15, -17, -19, -21, -23, -27, -29	Floodlight	33-23-04	2	15-Jul-01															
10-0698-1, -2	Passenger Reading Light	33-25-11	3	01-Jan-87															
10-0698-1, -2	Passenger Reading Light				10-0698-33-0005	B	20-Apr-77												SB modifies -1 & -2 to 10-0825-1 & -2
10-0698-1, -2	Passenger Reading Light				10-0698-33-0002		04-Dec-75												
10-0705-1, -3, -5, -7, -9	Emergency Exit Sign											073	22-Feb-78						Replaced with -13, -15, -17, -19, -21
10-0713	Adjustable Reading Light	PBS24		15-Jun-76															
10-0714-1, -3, -5	Air Gasper	PBS27		01-Aug-76															
10-0720-1 thru -113 (odd)	Lavatory Occupied Interior Illuminated Sign	33-26-41	12	01-Jul-85															
10-0733-3, -3LB, -5	Portable Emergency Exit Light	33-50-83		01-Sep-02															
10-0749-1	Stewardess Call Light	33-20-19		01-Oct-74															
10-0753-1, -3	Forward Vestibule Dome Light	33-20-22		01-Dec-75															
10-0780-1 to -11	Cabin Light				10-0780-33-0020		15-Jun-82												SB -1 to -11 modifies to -13 to -23
10-0780-1, -3, -5, -7, -9, -11, -21, -23, -113, -115, -117, -119	Service Center Lighting Fixture	33-23-03	1	01-May-82															
10-0782-1	Passenger Reading Light	33-20-49		01-Jan-88															
10-0783-1	Adjustable Reading Light	33-20-73		01-Jul-99															
10-0784-1, -3	Adjustable Reading Light	33-20-50		24-May-88															
10-0787-1, -105, -109, -111, -113	Ceiling Mounted Advisory Interior Illuminated Sign	33-29-20	3	01-Oct-82															
10-0788-1, -3	Wall Mounted Advisory Interior Illuminated Sign	33-29-21	1	15-Jul-78															
10-0795-101, -103, -105, -107, -109, -201, -203, -205, -207, -209, -211, -301, -303, -305, -307	Luminaire Light Assembly	33-21-34	1	15-Sep-76															
10-0806	Ordinance Sign Light											117							
10-0806-1, -3, -5, -7, -9, -11, -13, -15, -17, -19, -21, -23, -25, -27, -29, -31, -33	Double Illuminated Ordinance Sign	33-29-22	3	01-Aug-81															
10-0809-1	Adjustable Reading Light	33-20-96	-	15-Jun-01															
10-0815-1	Dome Light	PBS41		01-Sep-79															
10-0824-1, -2	Side Passenger Reading Light	33-25-13	1	05-Jul-81															
10-0825-1, -2	Side Passenger Reading Light	33-25-12	2	25-Jul-81															
10-0826-1, -2	Side Passenger Reading Light	33-25-12	2	25-Jul-81															
10-0830-1	Emergency Exit Sign											073	22-Feb-78						TIL modifies -1 to -3
10-0831-1	Indirect Fluorescent Ceiling Light	PBS32		01-Sep-77															
10-0864-1, -2	Lavatory Light				10-0864-33-0022		15-Jun-82												SB modifies -1 & -2 to -3 & -4







10-1086-1, -3	Aisle and Emergency Light	33-50-46	1	15-Mar-01										
10-1099-1, -3, -5	Interior Illuminated Aisle Sign	33-50-45	1	01-Dec-91										
10-1104-1	Interior Illuminated Sign Subassembly	33-51-37		01-Oct-84										
10-1110-1, -3, -5, -7, -9, -11, -13, -15, -17, -19, -21, -23, -25, -27, -29, -31, -33, -35, -37, -39, -41, -43	Interior Illuminated Emergency Exit Sign	33-50-47	1	01-Jun-00										
10-1112-1	Aisle Emergency Light											176	11-Nov-87	
10-1113-1, -3	Flight Deck Dome Light	33-10-73	1	01-Feb-01										
10-1114-1, -3	Window and Exit Sign Light	33-51-35	1	15-Sep-85										
10-1116-42, -43, -44, -45, -46, -47, -48, -49, -50, -51, -52, -53	Passenger Reading Light Assembly	33-20-30		01-Dec-82										
10-1119-1, -3, -5, -7, -9, -11	Emergency Dome Light	33-50-48	1	15-Mar-01										
10-1143-1	Interior Illuminated Sign	33-20-42		15-Dec-84										
10-1148-1, -2, -3, -4	Passenger Reading Light Assembly	33-20-59		01-Jun-90										
10-1151-1	Emergency Aisle Light	33-20-40	1	01-Jul-00										
10-1153-1	Window and Exit Sign Housing Assembly	33-51-36	2	15-May-01										
10-1171	Reading Light Assembly											161	15-Jan-87	
10-1171	Reading Light Assembly													
10-1171-32, -33, -34, -35, -36, -37, -38, -40, -59, -60, -61, -62	Reading Light Assembly	33-20-41		15-Jan-85										
10-1175-1 to -9 (odd)	Over Door Mounted Emergency Exit Light	33-50-55		15-Sep-86										CMM superseded by 33-50-66
10-1175-1, -3, -5, -7, -9, -11, -13, -15, -17, -19, -21, -23, -25, -27, -29, -31, -33, -35, -37, -39, -41, -43, -45, -47, -49	Emergency Exit Light	33-50-66	1	01-Jul-00										CMM supersedes 33-50-55
10-1178	Passenger Service Unit											255	20-Jan-95	DEBURRING OF AIR OUTLET
10-1178	Passenger Service Unit													Enhances the readability of the PSU symbol directives
10-1178	Passenger Service Unit													Readability enhancement to PSU symbol directives
10-1178	Passenger Service Unit													Modification to keep moisture out of unit
10-1178-1, -2, -3, -4	Passenger Service Unit											165	20-Mar-87	
10-1178-1, -2M, -3, -4, -11, -12, -13, -14, -23, -24, -25, -26, -31, -32, -33, -34, -35, -36, -37, -38, -39, -40, -41, -42, -43, -45, -47, -49, -51, -53, -55, -57, -59, -61, -63, -65	Passenger Service Unit	33-20-44	6	15-Feb-99										
10-1179-1	Interior Illuminated Warning Sign	33-20-39	1	15-Mar-01										
10-1180-1	STAIRWAY TREAD LIGHT	33-20-71		01-Oct-98										
10-1221-1, -3, -5	Over Door Mounted Emergency Exit Light	33-50-49		01-Jul-85										
10-1222-1	Aisle and Emergency Light Assembly	33-50-50		01-Jul-85										
10-1233-1	Interior Illuminated Exit Sign	33-20-45		01-Jul-85										
10-1246-1, -3	Floodlight Assembly & Switch													
10-1270-1	Interior Illuminated Exit Sign	33-51-40	1	08-Feb-91										
10-1271-1	Interior Illuminated Exit Sign	33-51-41		01-May-86										
10-1275-1	Over Door Mounted Emergency Exit Light	33-50-54		01-Sep-86										
10-1301-1, -3, -5, -7, -9, -11, -13, -15, -17, -19	Exit Identifier Light	33-50-75	-	15-Mar-01										
10-1309	Floor Proximity Light											229A	01-Mar-94	
10-1309-17	Floor Proximity											327	14-Mar-96	
10-1327	Fluorescent Light											233	31-Jul-92	TIL cancelled by TIL 246/SB 10-1327-33-0037
10-1327	Fluorescent Light											246	15-Jan-93	Advise of pending SB 10-1327-33-0037











30-0120-1, -3, -5, -7	Tail Position Light					B5-21095	A	05-Jun-69											
30-0127-1, -3, -5, -7, -9, -11, -13	Navigational Tail Position Light	33-41-98			01-Jun-00														
30-0127-3-1683	Navigational Tail Position Light					B5-21151		06-Aug-71											SB modifies part to 30-0127-9-1683
30-0127-7, -9						30-0127-33-SB01		01-Mar-98											
30-0180-1, -2, -3, -4, -5, -6, -7, -8	Wing Leading Edge Inspection Light	33-41-59	1		23-Feb-88														
30-0180-5, -6	Wing Leading Edge Light					30-0180-33-0065		21-Aug-87											
30-0181-1, -5, -7, -11, -13, -15	Over Wing Emergency Exit Light	33-42-49			01-Aug-01														
30-0191-1, -2, -5, -6, -7, -8, -9, -10, -11	NAVIGATIONAL LIGHT	33-42-34			15-Feb-01														
30-0191-5, -6	NAVIGATIONAL LIGHT					30-0191-33-SB01		01-Mar-98											CHANGE CONFIGURATION FROM 30-0191 TO 30-2583
30-0213	Wing Scanning Light														087		24-Jul-79		
30-0213-1, -2, -3, -4, -5, -6, -7, -8, -9, -10, -11, -12, -13, -14, -15, -16, -17, -18	Wing Scanning Light	33-41-97	1		01-Feb-99														
30-0213-5, -6	Wing Scanning Light					B5-21115	A	11-Apr-69											SB modifies -5 & -6 to -9 & -10
30-0234	Navigational Wing Position Light														096		04-Apr-80		
30-0234-1, -2L, -4174	NAVIGATIONAL LIGHT					30-0234-33-SB01		01-Mar-98											CHANGE 30-0234 TO 30-2483 5 and -6
30-0234-1-4174, -1-1163, -2L-4174, -2L-1163, -3-626, -4L-626	Wing Position Navigation Light	33-41-76	2		01-Feb-01														
30-0235-1, -2, -3, -4, -5, -6, -7, -8, -9, -10, -11, -12, -13, -14, -15, -16, -17, -18, -19	Emergency Exit Light					B5-21171		02-May-72											
30-0323	Emergency Exit Light					B5-21073	B	12-Sep-65											
30-0323-1	Wing Position Light														238		30-Jul-92		Replace 30-0323-1 to -3 with 30-0323-5 to -7 respectively
30-0331-1, -2, -3, -4	Wing Scanning Light					B5-21131	B	25-Jun-70											
30-0331-3, -4	Wing Scanning Light					30-0331-33-0070	2	31-Oct-93											SB modifies -3 & -4 to 30-2175-1 & -2
30-0331-3, -4	Wing Scanning Light	33-40-41			01-Jul-70														
30-0332	Forward Position Light														132		13-Dec-82		
30-0332	Wing Tip Light					30-0332-33-0050	A	24-May-85											
30-0332-1, -2, -3, -4, -5, -6	Wing Tip Light	33-40-42			20-Mar-70														
30-0332-3, -7	Forward Position Light														019		05-Nov-70		
30-0332-7, -8	Wing Tip Light					30-0332-33-0013		17-Dec-75											
30-0332-7, -8	Wing Tip Light					30-0332-33-0016	D	28-Oct-77											SB modifies -7 & -8 to -7M & -8M
30-0332-7, -8, -9, -10	Wing Tip Light	33-40-54	3		15-Sep-84														
30-0333-1, -3, -5	Tail Position Light	33-40-43			20-Mar-70														
30-0333-7	AFT Position Light														020		05-Nov-70		
30-0333-7	AFT Position Light														026		04-Aug-71		
30-0333-7, -9	Tail Position Light	33-40-55	1		30-Oct-77														
30-0333-7, -9	Tail Position Light														023		02-Apr-71		
30-0333-9	Tail Position Light					30-0333-33-0014	A	08-Apr-76											
30-0333-9	AFT Position Light					B5-21154		10-Nov-71											
30-0356-1	Navigational Wing Position Light					B5-21230		15-Dec-72											
30-0360-3	Strobe Light					B5-21233	A	20-May-74											SB modifies -3 to -5
30-0360-3	High Intensity Strobe Light	33-41-03	3		30-Mar-73														
30-0360-5	Strobe Light														036		18-Nov-74		
30-0360-5	Strobe Light														041		07-Feb-75		





30-0447-1, -2, -3, -4	Wing Illumination Light	33-45-01	1	01-Dec-73															
30-0448-13, -14	Lens Assembly	33-43-02	2	01-Feb-73															
30-0448-9	Taxi Runway Turnoff Light	33-43-01	1	15-Jan-72															
30-0448-9	20-078 Adhesive N/A								00061		01-Jul-02								20-078 Adhesive N/A
30-0454-1, -3, -4	Emergency Exit Light	33-50-19	1	30-Jan-76															
30-0467-1	FLASHTUBE POSITION LIGHT	MD30-2		01-Feb-71															
30-0467-1, -3	Navigational Strobe Light				B5-21308			08-Oct-74											SB modifies -1 & -3 to -5
30-0467-1, -3	Navigational Strobe Light				B5-21308			24-Jul-74											
30-0467-1, -5	Aircraft Navigational Position Light Flashtube	33-40-57	1	15-Apr-01															
30-0467-5	Strobe Light												307	07-May-96					Hard-Time Restoration
30-0488-5, -6, -7, -8	Emergency Evacuation Light	33-51-02	3	15-May-76															
30-0491-1													114	12-Oct-81					
30-0491-1, -2, -5, -6	Navigational Wing Tip Light Assembly								30-0491-33-0089		31-Aug-92								Modification of the Lampholder
30-0491-1, -2, -5, -6	Navigational Lights								30-0491-33-SB01		01-Feb-01								
30-0491-5, -6	Wing Position Light	33-44-01	2	01-Jul-00															
30-0491-5, -6	Wing Position Light								30-0491-33-0008		26-Jun-75								
30-0504	Strobe Light												072	20-Dec-77					
30-0504-1, -3, -7, -9, -13, -17, -21, -23, -25, -27, -29, -31, -35, -39, -41	Aircraft Light Anti-Collision Flashtube	33-40-97	1	01-May-01															
30-0504-13	Strobe Light												312	07-May-96					Hard-Time Restoration
30-0504-21	Flashtube Light Assembly	PBS37		01-Sep-79															
30-0515-1, -1A, -3	Position Light								30-0515-33-0009	C	03-Dec-76								SB modifies -1, -1A, & -3 to -5. Adds cover with drain tubes
30-0515-3, -5	Strobe Position Light	MD30-1	2	01-Jun-79															
30-0515-3, -5	Strobe Position Light	MD30-1	2	01-Jun-79															
30-0516-1, -3, -5, -7	Tail Position Light	MD30-3	1	01-Jul-73															
30-0516-1, -5	Tail Position Light								B5-21181		02-Jun-72								
30-0516-1, -5	Strobe Light												311	07-May-96					Hard-Time Restoration
30-0527-1, -3	AFT Position Lights												028	10-Sep-71					TIL -5 supersedes -1 & -3
30-0527-5, -7													114	12-Oct-81					
30-0527-5, -7	Tail Position Light								30-0527-33-0062	2	06-Sep-88								SB modifies -5 & -7 to -5M & -7M
30-0527-5, -7	Aircraft Tail Position Light Assembly	33-44-10	3	01-Nov-82															
30-0527-5, -7	Aircraft-Tail Position Navigational Light												00067	30-Jul-02					PR-1913 replaced by RTV159 (AD-027)
30-0527-7	Navigational Tail Light																		30-0527-7 is interchangeable with 30-0527-13
30-0531-1	Strobe Light												357	08-Apr-99					
30-0531-1	Tail Position NavigationLight	33-42-40		15-Mar-01									318	07-May-96					Hard-Time Restoration
30-0536-1, -5, -11	Wing Position Light												028	10-Sep-71					TIL -13 supersedes -1, -5, -11
30-0536-11, -12	Aircraft Wing Position Light Assembly	33-44-04		15-Dec-70															
30-0536-11, -12	Aircraft Wing Position Light Assembly												375	09-May-01					
30-0536-114	Wing Position Light												114	12-Oct-81					
30-0536-13, -13M, -14, -14M	Wing Position Light								30-0536-33-SB01		15-May-98								SB modifies -13 & -14 to -13M & -14M. Adds new lamp and lampholder
30-0536-13, -13M, -14, -14M	Aircraft Wing Position Light	33-44-11	3	15-Oct-00															
30-0536-13, -14	Wing Position Light								30-0536-33-0063	3	26-Jan-96								SB modifies -13 & -14 to -13M & -14M. Adds new lampholders and lens
30-0536-13, -14	Wing Tip Light								30-0536-33-0028		03-Oct-80								
30-0536-13, -14	Wing Position Light								B5-21152		08-Nov-71								
30-0536-2, -6, -12	AFT Position Light												28	10-Sep-71					
30-0538	Strobe Light												317	07-May-96					Hard-Time Restoration



30-0651-1	Supplemental Acft Tail & Wing Position Flashtube Light	33-40-60		15-Oct-72															
30-0655-1	Supplemental Aircraft Tail Position Flashtube Light	33-40-37		01-Sep-73															
30-0655-1	Supplemental Aircraft Tail Position Flashtube Light								00001		14-Mar-01								30-0909-1 replaces 30-0655-1
30-0655-1	Supplemental Aircraft Tail Position Flashtube Light								00002		14-Mar-01								CA3381 replaces CA338
30-0657-1, -3, -5, -7	Supplemental Acft Strobe Light Anti-Collision Flashtube	33-40-53		01-Nov-72															
30-0669-1	Anti-Collision Light	MD30-4		01-May-71															
30-0704-11, -13, -15, -17	Act Navigational Strobe Light Anti-Collision Flashtube	33-40-73		15-Aug-75															
30-0708	Strobe Light											059	17-Apr-78						Introduces dual cathode flashtube
30-0708-1	Aircraft Navigational Light Flashtube	33-40-26		01-Aug-72															
30-0711-1, -3	Supplemental Acft Strobe Light Anti-Collision Flashtube	33-40-53		01-Nov-72															
30-0758-1, -2	Wing Position Aircraft Navigational Light	33-40-30		01-Aug-72															
30-0764-1, -2	Navigational Light								30-0764-33-0003	A	04-Nov-77								SB modifies -1 & -2 to -1A & -2A
30-0764-1A, -4	Wing Tip Navigational Lights											153	01-May-85						
30-0764-1A, -4	Wing Tip Navigational Lights											154	01-May-85						
30-0777	Strobe Light											072	20-Dec-77						
30-0777	Strobe Light											072	20-Dec-77						
30-0778-1, -3, -5, -7, -9, -11	Wheel Well Light	33-45-11	2	20-Jul-81															
30-0787-11												114	12-Oct-81						
30-0801-1, -3	Tail Position Light								30-0801-33-0017		18-Oct-76								
30-0801-1, -3, -5, -6	Aircraft Navigational Light Tail Position Flashtube	33-40-61	2	01-Oct-00															
30-0801-3	Strobe Light											286	07-May-96						Hard-Time Restoration
30-0808	Wing Tip Light								30-0808-33-0025		22-Feb-78								
30-0808-7, -8, -9, -10, -11, -12	Wing Tip Light	33-40-83	2	01-Oct-80															
30-0809-3	Tail Position Light								30-0809-33-0026		22-Feb-78								
30-0809-3, -7, -9, -11	Tail Position Light	33-40-82	3	30-Nov-87															
30-0820-9, -11												114	12-Oct-81						
30-0827-1, -2	Wing Tip Aircraft Navigational Light	33-40-78		01-Dec-74															
30-0837	Strobe Light											063	22-Feb-77						
30-0837	Strobe Light											070	21-Jul-77						TIL modifies 30-0837-() to 30-1401-()
30-0837	Strobe Light											084	01-Jun-79						Kit 30-1555-1, -3
30-0837	Strobe Light											156	17-Sep-85						
30-0837	Fuselage Strobe AntiCollision Light								30-0837-33-0088		31-Dec-93								Mods 30-0837 units to 30-1401 units
30-0837	Strobe Light											287	07-May-96						Hard-Time Restoration
30-0837-1, -3, -5, -7, -9, -11, -13, -15, -17, -19, -21, -23, -25, -27, -29, -31, -33, -35, -37, -39, -41, -43, -45, -47																			
30-0837-1, -3, -5, -7, -9, -11, -13, -15, -17, -19, -21, -23, -25, -27, -29, -31, -33, -35, -37, -39, -41, -43, -45, -47	Aircraft Navigational Anti-Collision Strobe Light	33-40-39	6	01-Jun-00								00082	-	08-Jan-03					

30-0837-1, -3, -5, -7, -9, -11, -13, -15, -17, -19, -21, -23, -25, -27, -29, -31, -33, -35, -37, -39, -41, -43, -45, -47	Strobe Light									00062		15-Jul-02			Capacitor p/n 173S106X9025W new p/n CA-579
30-0837-1, -3, -5, -7, -9, -11, -13, -15, -17, -19, -21, -23, -25, -27, -29, -31, -33, -35, -37, -39, -41, -43, -45, -47	Anticollision Strobe Light									00064		15-Jul-02			Rectifier p/n correction MRC1906-6 to RC880 and MRC22-6 to RC350
30-0837-43	Anti-Collision Strobe Light					30-0837-33-0101						30-Jun-94			Mod for Premature Failures of Multiplier and Trigger Capacitors
30-0837-5	Anti-Collision Strobe Light					30-0837-33-0075						06-Nov-90			
30-0837-5	Strobe Anti-Collision Light					30-0837-33-0098	1					15-Nov-93			
30-0837-5, -9, -13, -17, -19	Strobe Light					31-2706-33-SB01						30-Sep-97			Premature fatigue failure of the mounting flange
30-0849-1, -3, -5, -7, -9, -11, -13, -15, -17, -19, -21	Acft Navigational Strobe Light Anti-Collision Flashtube	33-40-75	1		01-Sep-75										
30-0849-17, -19	Acft Navigational Strobe Light Anti-Collision Flashtube	33-40-89			30-Oct-77										CMM supersedes 33-40-75 for these part numbers
30-0849-17, -19	Acft Navigational Strobe Light Anti-Collision Flashtube									00070		01-Sep-02			
30-0850-1	Anti-Collision Flashtube Light System	33-40-32			15-Feb-73										
30-0863-1, -2, -3, -4, -5, -6, -7, -8, -9, -10, -11, -12, -13, -14, -16, -17, -18	Wing Position Aircraft Navigational Light	33-40-74	1		15-Dec-86										
30-0863-3, -4						30-0863-33-0077									
30-0863-3, -4	Strobe Light												301	07-May-96	Hard-Time Restoration
30-0865	Strobe Light												059	17-Apr-78	Introduces dual cathode flashtube
30-0865-1	High Intensity Aircraft Recognition Light	33-40-35			15-Feb-73										
30-0865-1, -3	Strobe Light					30-0865-33-0005									
30-0865-3, -5, -7	High Intensity Aircraft Recognition Light	33-40-70	1		01-Mar-75										
30-0866	Strobe Light												059	17-Apr-78	Introduces dual cathode flashtube
30-0866-1 to -4	Strobe Light					30-0866-33-0004									
30-0866-1, -2	High Intensity Aircraft Recognition Light	33-40-36			15-Feb-73										
30-0866-3, -4, -5, -6, -7, -8, -9, -10, -11, -12, -13	High Intensity Aircraft Recognition Light	33-40-71	2		01-Feb-87										
30-0876-1, -3, -5, -7, -9, -11, -13, -15, -17, -19, -21, -23, -25	Acft Navigational Light Anti-Collision Flashtube Strobe	33-41-49	1		10-Jun-92										
30-0876-13	Strobe Light												302	07-May-96	Hard-Time Restoration
30-0876-9	Strobe Light												303	07-May-96	Hard-Time Restoration
30-0881	Anti-Collision Light												135	04-Mar-83	
30-0881	Aircraft Navigational Anti-Collision Strobe Light												123	02-Feb-82	
30-0881	Anti-Collision Lights					30-0881-33-0051	1								
30-0881	Strobe Light												288	07-May-96	Hard-Time Restoration
30-0881	Anti-Collision Light												135A	11-Oct-83	
30-0881-1	Anti-Collision Light					30-0881-33-0045									
30-0881-1, -3	Anti-Collision Lights					30-0881-33-0022	B								
30-0881-1, -3, -5, -7, -9, -11	Aircraft Navigational Anti-Collision Strobe Light	33-48-11	4		01-Feb-87										
30-0889-3, -4	Navigational Light												114	12-Oct-81	

30-0892	Navigational Tail Position Light											059	17-Apr-78	Introduces dual cathode flashtube
30-0892	Flash Tube Assembly											242	27-Jul-93	Improvement to trigger ability
30-0893	Strobe Light											059	17-Apr-78	Introduces dual cathode flashtube
30-0893	Flash Tube Assembly											242	27-Jul-83	Improvement to trigger ability
30-0893-1 to -4	Strobe Light											114	12-Oct-81	
30-0896-1						30-0896-33-0037	A	04-Feb-80						
30-0896-1						30-0896-33-0046		28-Mar-83						
30-0896-1	Aircraft Navigational Anti-Collision Strobe Light	33-41-06	1	01-Apr-01										
30-0896-1	Strobe Light											275	07-May-96	Hard-Time Restoration
30-0904	Strobe Light											059	17-Apr-78	Introduces dual cathode flashtube
30-0904-1	Strobe Light					30-0904-33-0018		17-Nov-76						
30-0904-1, -3, -5, -7, -101, -103, -105, 107	High Intensity Aircraft Recognition Light	33-40-64	2	01-May-81										
30-0904-101	Strobe Light											285	27-Mar-96	Hard-Time Restoration
30-0906	Strobe Light											059	17-Apr-78	Introduces dual cathode flashtube
30-0906	Strobe Light											284	07-May-96	Hard-Time Restoration
30-0906	Strobes											190	04-May-89	
30-0906-1, -2, -3, -4, -5, -6, -7, -8, -9, -10, -11, -12, -13, -14, -15, -16, -17, -18, -19, -20, -21, -22, -23, -25, -26, -101, -103, -104, -105, -106, -107, -109, -110, -113, -115, -116, -117, -118, -119, -121, -122, -123, -124, -125, -126, -128	Strobe Light					30-0906-33-0047	A	01-Jun-84						PCB component change
30-0906-1, -3, -4, -5, -6, -7, -9, -10, -11, -13, -15, -16, -17, -18, -19, -21, -22, -23, -24, -25, -26, -101, -103, -104, -105, -106, -107, -109, -110, -111, -113, -115, -116, -117, -118, -119, -121, -122, -123, -124, -125, -126, -128, -129	High Intensity Aircraft Recognition Light	33-40-69	5	15-Aug-02										
30-0906-1, -3, -4, -5, -9, -10, -11, -24, -25	Strobe Light					30-0906-33-0019		17-Nov-76						Improves trigger cap reliability
30-0906-101, -103, -104, -105, -106, -107, -109, -110, -111, -113, -115, -116, -117, -118, -119, -121, -122, -123, -124, -125, -126, -128, -129, -131	High-Intensity Strobe Light									00021			23-Jul-01	Grimes Aerospace has superceded the 61-1107-1 with 61-1107-3.
30-0906-101, -103, -104, -105, -106, -107, -109, -110, -111, -113, -115, -116, -117, -118, -119, -121, -124, -125, -126, -128, -129, -131	High-Intensity Strobe Light									00032			15-Sep-01	61-1107-1 Capacitor Assy. replaced by 61-1107-3 Capacitor Assy.
30-0906-104, -105	Anti-Collision Strobe-Aircraft Navigational Light					30-0906-33-0074		02-Nov-90						Inspection for possible Wire Insulation Damage
30-0906-129, -131	Strobe Light					30-0906-33-0047	A	01-Jun-84						PCB component change
30-0908-1, -101	Supplemental Acft Tail Position Flashtube Light									00032			15-Sep-01	
30-0908-1, -3, -5	Supplemental Acft Tail Position Flashtube Light	33-40-81		01-Jun-77										
30-0909	Strobe Light											059	17-Apr-78	Introduces dual cathode flashtube

30-0909	Strobe Supplemental Aircraft Tail Position Flashtube Light										190	04-May-89	
30-0909-1								00001		14-Mar-01			30-0909-1 replaces 30-0655-1
30-0909-1, -101, -103, -107, -201, -203, -207	Aircraft Tail Position Light Flashtube	33-40-38	5	15-Aug-02									
30-0909-1, -3	Strobe Light				30-0909-33-0020				18-Nov-76				Improve trigger cap reliability
30-0909-101, -102, -103, -104, -105, -106, -107	Strobe Light				30-0909-33-0048	A			14-Nov-84				
30-0909-201	Tail Position Flashtube										257	30-Aug-95	Water ingress improvement
30-0909-201	Tail Position Flashtube - Aircraft Supplemental Light				30-0909-33-0073				02-Nov-90				Correction to erratic flash rates or total unit failure
30-0909-201	Strobe Light										283	07-May-96	Hard-Time Restoration
30-0909-201	Strobe Light							00047		15-Feb-02			
30-0910-1, -3	Aircraft Navigational Strobe Light	33-40-76	4	01-Jun-00									
30-0910-3	Anti-Collision Light										131	14-Sep-82	
30-0910-3	Strobe Light										282	07-May-96	Hard-Time Restoration
30-0910-3	Anti-Collision Light										131A	14-Sep-82	
30-0910-3	Aircraft Navigational Strobe Light							00027		15-Oct-01			
30-0911-3	Anti-Collision Light										131	14-Sep-82	
30-0911-3	Strobe Light										281	07-May-96	Hard-Time Restoration
30-0911-3	Anti-Collision Light										131A	24-Apr-98	
30-0911-3	Aircraft Navigational Light - Strobe							00027		15-Oct-01			
30-0911-3, -7	Aircraft Navigational Light - Strobe	33-40-77	2	01-Jul-00									
30-0934-1	Strobe Light				B5-21254				24-Sep-54				
30-0952-1	Rotating Warning Aircraft Navigational Light	33-40-85	1	01-Jul-78									
30-0983-1, -2	Lens Assembly	33-43-05	1	01-Sep-75									
30-0988-1	Runway Turnoff Aircraft Taxiing Light	33-43-04		01-Feb-74									
30-1027-1, -2, -3, -4, -5, -6, -7, -8	Emergency Exit Slide Light	33-50-64		15-Oct-90									
30-1033	Anti-Collision Light-Flashtube										060	16-Dec-76	
30-1033	Strobe Light										326	07-May-96	Hard-Time Restoration
30-1033-1, -3, -5, -7, -11, -13, -15, -17, -19, -21, -23, -25, -27, -29, -31, -33, -35, -37, -39, -41, -43, -45, -49, -51, -53, -55, -57, -59, -61, -63, -65, -67	Aircraft Navigational Light Anti-Collision Flashtube	33-40-59	4	15-Sep-99									
30-1033-49	Strobe Light				30-1033-33-0095				30-Nov-93				Mod -49 to -57
30-1033-53	Anti-Collision Light System										252	18-Feb-94	Replaces Mechanical driven system
30-1033-55	Anti-Collision Light System										252	18-Feb-94	Replaces Mechanical driven system
30-1033-59, -61, -63	Anti-Collision Strobe Light				30-1033-33-SB01	1			15-Jan-98				Mods to -61(upper) and -63(lower)
30-1033-61	Navigational Light				30-1033-33-SB02				15-Oct-98				
30-1033-61, -63	Navigational Light				30-1033-33-SB03	2			01-Jun-00				Service Bulletins 30-1033-33-SB01 and 30-1033-33-SB02 must be done first.
30-1071-1											114	12-Oct-81	
30-1071-1					30-1127-33-0002				13-Jan-75				SB modifies 30-1071-1 to 30-1126-1
30-1072-1, -3											114	12-Oct-81	
30-1076-1											114	12-Oct-81	
30-1077-1											114	12-Oct-81	
30-1080-1 to -4	Position and Anti-Collision Light	PBS31		22-Feb-77									
30-1080-1 to -4	Position and Anti-Collision Light										208	28-Feb-90	
30-1085-1, -2	Position and Anti-Collision Light	PBS30		18-Feb-77									
30-1085-5, -6, -15, -16	Strobe Light										325	07-May-96	Hard-Time Restoration

30-1085-5, -6, -15, -16	Strobe Light											208	28-Feb-90	
30-1098-1	STROBE LIGHT											363	01-Sep-99	New and Improved Strobe Light 30-2659-1
30-1098-1	STROBE LIGHT											299A	23-Mar-98	HARD-TIME RESTORATION RECOMMENDATION
30-1098-1	STROBE LIGHT					30-1098-33-SB01		01-Dec-00						Changes a 30-1098 to 30-2659-1
30-1098-1, -3	Aircraft Navigational Anti-Collision Strobe Light	33-40-95	4	15-Apr-00										
30-1098-1, -3	Aircraft Navigational Anti-Collision Strobe Light									00030			15-Sep-01	
30-1098-1, -3	Aircraft Navigational Anti-Collision Strobe Light									00042			15-Dec-01	
30-1099	Aircraft Navigational Anti-Collision Strobe Light					30-1099-33-0058	1	29-Aug-89						Not applicable if SB 30-1099-33-0092 complied with
30-1099-1	Aircraft Navigational Anti-Collision Strobe Light					30-1099-33-0092	3	10-Jun-98						Fluid protection modification
30-1099-1	STROBE LIGHT											299A	23-Mar-98	HARD-TIME RESTORATION RECOMMENDATION
30-1099-1	STROBE LIGHT					30-1099-33-SB01	1	15-Sep-02						Changes a 30-1099 to 30-2660-1
30-1099-1, -1M, -3, -5	Aircraft Navigational Anti-Collision Strobe Light	33-40-95	4	15-Apr-00										
30-1099-1, -1M, -3, -5, -7										00042			15-Dec-01	
30-1099-1, -3, -5, -7										00043	-		15-Jan-02	Correct drain tube p/n in CMM from 60-4880-1 to 41-1457-7.
30-1099-1A, -7	STROBE LIGHT											363	01-Sep-99	New and Improved Strobe Light 30-2660-3
30-1103-3	Grimes Flashtube											071	23-Nov-77	
30-1103-3	Strobe Light					30-1103-33-0015	E	23-Aug-77						SB modifies 30-1103-3 to 30-1223-1
30-1103-3	Aircraft Navigational Light Anti-Collision Flashtube	33-40-80		01-Mar-76										
30-1103-3	Strobe Light											310	07-May-96	Hard-Time Restoration
30-1108	Strobe Light											295A	25-Mar-98	
30-1108-1, -3, -9, -11, -13	Aircraft Navigational Light Anti-Collision Flashtube	33-41-63	1	01-Mar-99										
30-1108-9	Strobe Light											295A	25-Mar-98	
30-1108-9	Aircraft Navigational Light Anti-Collision Flashtube					30-1108-33-SB01		15-Aug-01						Upgrade old strobe light 30-1108-9 to 30-2673-1.
30-1108-9, -11	Anti-Collision Strobe Light											182	07-Jun-88	Adds silicone rubber gasket
30-1122-1	Strobe Light											319	07-May-96	Hard-Time Restoration
30-1124	Strobe Light											208	28-Feb-90	
30-1125-1	Aircraft Navigational Light Anti-Collision Strobe	33-40-99		01-Apr-80										
30-1127						30-1127-33-0002		13-Jan-75						
30-1127-1, -3, -5, -7												114	12-Oct-81	
30-1131	Aircraft Dual Flashtube Light (Recognition)											227	15-May-92	
30-1133	Anti-Collision Lights											211	25-May-90	
30-1133	Wing Position light											269	20-Oct-95	
30-1133-1, -2	Aircraft Navigational Wing Position Light	33-41-69	2	01-May-01										
30-1133-1, -2	Wing Position Navigational Light											122	01-Feb-82	
30-1133-1, -2	Wing Tip Position Light					30-1133-33-0085	1	05-Aug-96						SB modifies 30-1133-1, -2 to -3, -4
30-1133-1, -2	Wing Tip Position Light					30-1133-33-0093	1	05-Aug-96						SB modifies 30-1133-1, -2 to -3L, -4L
30-1133-1, -2	Wing Tip Position Light					30-1133-33-0094	1	05-Aug-96						SB modifies 30-1133-1, -2 to -5, -6
30-1133-1, -2, -5, -6	Wing Tip Position Light					30-1133-33-SB01	1	15-Sep-00						SB modifies 30-1133-1, -2, -5, -6 TO 30-2501-1, -2
30-1133-1, -2, -5, -6	Wing Tip Position Light					30-1133-33-SB01	1	15-Sep-00						SB modifies 30-1133-1, -2, -5, -6, -7





30-1499-9	Fuselage Anti-Collision Light				31-8351-33-SB01		15-Dec-96											Incorporate Single Molded Lens
30-1521	Rear Position Light				30-1521-33-0043		19-Sep-83											
30-1521-1, -2	Aircraft Navigational Light - Rear Position	33-43-06	1	01-Oct-00														
30-1521-1, -2, -3, -4, -5, -6	Aircraft Navigational Light - Rear Position				30-1521-33-SB01		15-Feb-95											CORRECTS LAMPHOLDER MISALIGNMENT
30-1521-1, -2, -3, -4, -5, -6	Lens P/N incorrect.								00066		26-Jul-02							Lens P/N 25-1059-235 should be 25-1059-23S.
30-1521-3, -4, -5, -6	Aircraft Navigational Light - Rear Position	33-43-11	4	01-Oct-00														
30-1524-1, -3					30-1524-33-0041	2	05-May-82											SB modifies -1 & -3 to -5 & -7
30-1526	Aircraft Anti-Collision Light Upper & Lower Fus. Strobe												216	12-Dec-90				
30-1526	Aircraft Anti-Collision Light Upper & Lower Fus. Strobe												234	22-Jun-92				
30-1526	Aircraft Anti-Collision Light Upper & Lower Fus. Strobe												240	10-Aug-92				
30-1526	Anti-Collision Light												215	14-Dec-90				
30-1526-1	Aircraft Anti-Collision Light Upper & Lower Fus. Strobe	33-44-14		01-Jan-81														
30-1526-1	Strobe Light								00017		09-Jul-01							
30-1526-3	Strobe Anti-Collision Light												158	29-Apr-86				
30-1526-3, -5, -7, -9, -11	Aircraft Anti-Collision Light Upper & Lower Fus. Strobe	33-44-19	4	01-Feb-01														
30-1526-3, -5, -7, -9, -11	Aircraft Anti-Collision Light Upper & Lower Fus. Strobe												265					TIL not yet issued, addresses lens cracking during installation
30-1526-3, -5, -7, -9, -11	Aircraft Anti-Collision Light Upper & Lower Fus. Strobe				30-1526-33-0100		15-Nov-93											
30-1526-3, -5, -7, -9, -11	Strobe Light								00031		01-Sep-01							
30-1526-9													189	24-Feb-89				
30-1526-9	Strobe Light												279	07-May-96				Hard-Time Restoration
30-1527-5M	Boom Marker Light												247	15-Sep-93				
30-1528-1	Nozzle Light				30-1528-33-0042		05-Aug-82											
30-1536	Floodlight												169	21-May-87				
30-1541-1, -3, -5, -9	Hose Flood/Signal Light				30-1541-33-0044	1	23-Mar-83											
30-1543-1, -2, -3, -4	Wing Scanning Light	33-41-25	3	01-Mar-00														
30-1552-1, -3	Main Cargo Door Ground Illumination Elec. Floodlight	33-31-06	2	15-Oct-99														
30-1554-1, -3, -5, -7	Overwing Emergency Light	33-51-17	3	15-Oct-99														
30-1562-1, -2	Forward Slide Floodlight	33-51-20		01-Nov-80														
30-1563-1, -2	Aft Slide Floodlight	33-51-18		01-Jul-80														
30-1564-1, -2	Wing Slide Floodlight	33-51-19		01-Jul-80														
30-1564-3 to -8	Wing Slide Floodlight	33-51-28	2	15-Aug-99														
30-1579-1	Aircraft Navigational Light Anti-Collision Flashtube	33-41-23		01-Nov-81														
30-1579-1	Strobe Light														304	07-May-96		Hard-Time Restoration
30-1579-1	Aircraft Navigational Light Anti-Collision Flashtube								00068		30-Jul-02							SWS417 & SWS930 Adhesive / Primes obsolete
30-1585-1	Strobe Light												322A	18-Jun-98				Hard-Time Restoration
30-1585-1, -3	Anti-Collision Strobe Light	33-42-19		15-Apr-99														
30-1586	Emergency Exit Light				B5-21051		09-May-63											
30-1586-1	Lower Fuselage Strobe Anti-Collision Light				30-1586-33-0097		15-Feb-94											Sealing unit against leaks
30-1586-1, -3, -5	Anticollision Strobe								00025		01-Aug-01							
30-1586-1, -3, -5, -7	Strobe Light												322A	18-Jun-98				Hard-Time Restoration

30-1586-5, -7	Anti-Collision Strobe Light	33-42-19		15-Apr-99															
30-1588-1, -2	Aircraft Navigational Light - Forward Wing Position	33-43-07	1	15-Aug-93															
30-1588-1, -2, -5, -6	Aircraft Navigational Light - Forward Wing Position				30-1588-33-SB01		15-Feb-95												CORRECT LAMPHOLDER MISALIGNMENT
30-1588-5, -6	Aircraft Navigational Light - Forward Wing Position	33-43-12	3	15-Aug-99															
30-1606	Strobe Light													126	14-May-82				
30-1617	Strobe Light													314	07-May-96				Hard-Time Restoration
30-1627-1, -5	Floodlight, Elec. Ground Ill., Bulk Cargo Door	33-31-07	2	15-Oct-99															
30-1637-1, -2, -5, -6, -7, -8	Wing Illumination Light	33-41-27	2	18-Apr-92															
30-1637-5, -6	Wing Inspection Light														218	29-Jan-91			TIL --7 & -8 have replaced -5 & 6
30-1638-1	Aircraft Light Anti-Collision Flashtube	33-40-97	1	01-May-01															
30-1648-3, -5	Inflight Refueling Floodlight	33-41-32	1	01-Oct-84															
30-1660-5	Light Assembly - Rear Position				30-1660-33-SB01		15-Feb-95												CORRECT LAMPHOLDER MISALIGNMENT
30-1660-5	Light Assembly - Rear Position	33-43-09	2	15-Oct-99															
30-1660-5	Tail Position Light														351	29-Jan-98			Lens cracking. Base: 31-5860-3 equiv to 31-5860-1
30-1660-5	Light Assembly - Rear Position							00034		15-Oct-01									
30-1667-1, -2	Aircraft Navigational Light - Forward Wing Position	33-43-08	4	01-Sep-99															
30-1667-1,-2	Aircraft Navigational Light - Forward Wing Position				30-1667-33-SB01		15-Feb-95												CORRECT LAMPHOLDER MISALIGNMENT
30-1669-1, -2	Forward Door Ground Illumination Slide Light	33-51-21		15-May-81															
30-1669-1, -2					30-1669-33-0057		11-Jun-86												SB modifies -1 & -2 to 30-2041-1 & -2
30-1670-1, -2	Center Door Ground Illumination Slide Light	33-51-24		15-May-81															
30-1670-1, -2	Slide & Ground Light				30-1670-33-0056		11-Jun-86												SB modifies -1 & -1 to 30-2042-1 & -2
30-1671-1, -2	Emergency Door Ground Illumination Slide Light	33-51-23		15-May-81															
30-1671-1, -2	Slide & Ground Light				30-1671-33-0055		11-Jun-86												SB modifies -1 & -2 to 30-2043-1 & -2
30-1672-1, -2	Aft Door Ground Illumination Slide Light	33-51-22		15-May-81															
30-1672-1, -2	Slide & Ground Light				30-1672-33-0052	3	20-May-88												SB modifies -1 & -2 to 30-2044-1 & -2
30-1685	Wing Tip Anticollision Light													234	22-Jun-92				
30-1685	Anti-Collision Light													215	14-Dec-90				
30-1685-1, -2	Aircraft Navigational Light - Strobe, Wing Tip	33-44-13	2	15-Jul-99															
30-1685-1, -2	Strobe Light														278	07-May-96			Hard-Time Restoration
30-1691	Wing Tip Anticollision Light														234	22-Jun-92			
30-1691	Anti-Collision Light														215	14-Dec-90			
30-1691-1, -2	Wing Anti-Collision Light	33-44-15	3	15-Apr-00															
30-1691-3, -4	Strobe Light														277	07-May-96			Hard-Time Restoration
30-1699-1 to -2	Lens Assembly	33-41-39																	See CMM 33-41-39
30-1700	Strobe Light														294	07-May-96			Hard-Time Restoration
30-1700-1 to -2	Position and Anti-Collision Light	33-41-39																	See CMM 33-41-39
30-1706-1	Refueling Indicator Light	33-42-47		01-Aug-01															
30-1706-1	Refueling Indicator Light							00050		15-Apr-02									MS2047DA3-5 to MS2047A3-5
30-1707-1, -2	Wing Inspection Floodlight				30-1707-33-0076		04-Dec-89												SB makes -1M & -2M same as product -3,-4
30-1712	Strobe Light														305	07-May-96			Hard-Time Restoration
30-1712-1, -2, -4, -5	Aaft Nav Anti-Collision Flashtube Strobe Light	33-41-73		10-Sep-90															
30-1738-1, -2	Wing Position Light	33-41-35		01-Sep-83															
30-1739-1, -2	Wing Inspection Light				30-1739-33-0067		09-May-88												To improve reliability and service life.

30-1739-1, -2	Wing Inspection Light	33-42-37		15-Jan-01															
30-1742-5, -6	Emergency Egress Light	33-50-71		01-Oct-98															
30-1762-1, -2	Wing Inspection Floodlight	33-41-36		01-Sep-83															
30-1764-1, -3	Aircraft Navigational Light	33-42-35		01-Nov-00															
30-1768	Slide Light														163	19-Feb-87			
30-1768-1, -2, -3, -4, -5, -6	Aft Ground Illumination Slide Light					30-1768-33-0060	1	12-Feb-88											SB modifies -1 & -2 to -1M & -2M
30-1768-1, -2, -3, -4, -5, -6, -7, -8	Aft Ground Illumination Slide Light	33-51-26	3	01-Feb-00															
30-1770	Slide Light														163	19-Feb-87			
30-1770-1, -2, -3, -4	Ground Illumination Slide Light - Forward	33-51-27	2	01-Feb-00															
30-1770-1, -2, -3, -4	Gound Illumination Slide Light-Forward					30-1770-33-0061	1	12-Feb-88											SB modifies -1 & -2 to -1M & -2M. Addition of drain hole
30-1774-1	Emergency Overwing Egress Light	33-51-38		01-Oct-84															Illustrated Parts Catalog
30-1777-5, -7	Emergency Light	33-50-73	1	15-May-02															
30-1780-1, -2	Tail Logo Floodlight	33-41-29		15-Jan-84															
30-1781-1	Logo Light	33-41-37		01-Sep-83															
30-1782-1, -2	Emergency Exit Floodlight	33-50-43		01-Sep-83															
30-1782-1, -2	Emergency Exit Floodlight								00012	-	01-Jun-01								
30-1783-1	Cargo Light	33-30-31		01-Sep-83															
30-1809-1	Aircraft Anti-Collision Light Wing Position Flashtube	33-41-30	2	15-Mar-01															
30180B21, -1683, B23D, B23D1683, B25, B25-2233	Aviation Refueling Floodlight	33-32-02		01-Feb-71															
30180B23D, -1683	Aviation Refueling Floodlight	33-32-02		01-Feb-71															
30180B25, -2233	Aviation Refueling Floodlight	33-32-02		01-Feb-71															
30-1840-1	Logo Light Assembly					30-1840-33-0054		06-Feb-86											SB modifies -1 to -3
30-1840-5	Floodlight	33-42-18		01-Oct-98															
30-1860	Anti-Collision Light														149	10-Nov-84			
30-1867-1, -2, -3, -4, -5, -6, -7, -8, -9, -10, -11	Wing Scanning Floodlight	33-41-58	3	01-Jun-00															
30-1883-3, -4, -5, -6	Aircraft Wing & Nacelle Inspection Floodlight	33-49-11	2	01-Jun-00															
30-1883-5, -6	Wing Scanning Floodlight														260	08-May-95			
30-1912-1	Cargo Floodlight	33-30-24	-	15-Feb-01															
30-1948-1, -2	Aircraft Navigational Anti-Collision Strobe Light	33-41-52		01-Dec-85															
30-1948-1, -2	Strobe Light															293	07-May-96		
30-1951-1, -3	Strobe Light					30-1951-33-0080	1	14-Nov-91											Sealing of unit against moisture
30-1951-1, -3	Strobe Anti-Collision Light					30-1951-33-0091	2	30-Apr-93											Electrical bonding of lens and plate
30-1951-1, -3	Aircraft Navigational, Anti-Collision Strobe Light	33-41-55	3	15-Mar-01															
30-1951-1, -3	Strobe Light														292	07-May-96			Hard-Time Restoration
30-1953	Strobe Light														291	07-May-96			Hard-Time Restoration
30-1953	Tail Navigational Light														219	12-Sep-91			
30-1953-3, -5	Strobe Tail Position Light					30-1953-33-0079	2	06-Sep-91											
30-1953-3, -5, -7, -9	Acft Nav Light Anti-Collision Flashtube Tail Position	33-41-56	4	15-Jul-93															
30-1953-7	Tail Position - Aircraft Navigational Light					30-1953-33-0087		15-Sep-92											Modifies 30-1953-7 light to 30-1953-9 configuration
30-1956-1, -2	Emergency Exit Floodlight	33-50-51		01-Jul-85															
30-1958		33-41-87																	CMM not yet issued
30-1959	Strobe Light														323	07-May-96			Hard-Time Restoration
30-1994-1, -3	Anti-Collision Light Assembly					30-1994-33-0084	3	15-Mar-93											Introduces molded lampholder
30-1994-1, -3	Strobe Light														313	01-May-96			Hard-Time Restoration
30-1994-1, -3	Anti-Collision Light Assembly					30-1994-33-SB01	1	24-Aug-99											Introduces New Silver Trigger Strip



30-2471-1,-2	Ice Detection Light				30-2471-33-SB01		12-Dec-97													Introduction of New Lens Gasket			
30-2478-1, -2	Wing Position Navigational Light	33-41-91		30-Mar-97																			
30-2478-1, -2	Wing Position Navigational Light				30-2478-33-SB01		11-Aug-03													Vibration Resistant Lamp and Lampholder Assembly			
30-2481-3	Aft Position Light	33-42-06	2	15-Aug-01																			
30-2481-3	Aft Position Light				30-2481-33-SB01		01-Nov-01																
30-2505-3	Upper Anti-Collision Light	33-42-03		15-Oct-96																			
30-2506-3	Lower Anti-Collision Light	33-42-04	1	15-May-01																			
30-2510-1	Emergency Egress Light																			NOT ISSUED			
30-2510-1, -3	Emergency Egress Light	33-50-74		15-Mar-01																Product improvement			
30-2529-1, -2, -3, -4, -5, -6	Emergency Overwing Escape Light	33-51-53		15-Apr-98																30-2510-3 replaces the 30-2510-1			
30-2537-1, -2, -3, -4, -5, -6, -7, -8, -9, -10, -11, -12	Ice Detection Light	33-44-33		01-Mar-00																			
30-2538-1, -2, -5, -6, -7, -8	Ice Detection Light	33-44-34		01-Mar-00																			
30-2546-1	Ground Illumination Slide Light	33-51-52		01-Feb-98																			
30-2554-1, -2	Wing Position Light	33-42-14		01-Oct-98																			
30-2555-1	Tail Position Light				30-2555-33-SB01		01-Nov-02																
30-2555-1, -3	Tail Position Light	33-42-13	1	15-Dec-02																			
30-2557-1, -2, -3, -4	Floodlight	33-42-12	1	01-Aug-01																			
30-2558-1,-2	Wing Inspection Light	33-42-11	1	15-Mar-01																			
30-2581-3	Electric-Tail Logo floodlight	33-42-30	1	15-Feb-01																			
30-2606-1, -2	Anti-Collision and Navigational Light	33-42-15		15-May-99																			
30-2610-1	Integral Anticollision Strobe Light	33-44-30		15-Aug-99																			
30-2611-5, -6, -7, -8, -9, -10	Navigational Position Light	33-42-62		15-May-02																			
30-2620-1, -2	Integrated Leading Edge Position and Anticollision Light Assembly	33-42-74		15-Aug-02																			
30-2623-1	Flashing Ground Recognition Light				30-2623-33-SB01		01-May-00																
30-2623-1	Flashing Ground Recognition Light	33-51-54		15-Aug-99																			
30-2647-1	Anti-Collision Navigational Light	33-42-27		15-Apr-00																			
30-2659-1	Strobe Light	33-44-32		15-Jul-99																			
30-2659-1	Strobe Light																			363	01-Sep-99	Replaces 30-1098-1 unit.	
30-2660-1, -3	Strobe Light	33-44-31		15-Jul-99																			
30-2660-3	Strobe Light																				363	01-Sep-99	Replaces the 30-1099-1A, -7.
30-2667-1, -3	Wing Tip/Tail position Strobe Light	33-42-22		01-Jun-00																			
30-2671-1, -2, -3, -4, -5, -6, -7, -8	Engine Nacelle Floodlight	33-42-29		01-Apr-01																			
30-2672-1, -2, -3, -4	Wing Inspection Light	33-42-28		01-Apr-01																			
30-2675	Strobe Light	33-42-21	1	01-Apr-01																			
30-2675	Strobe Light				30-2675-33-SB01		15-Aug-00																
30-2676	Strobe Light	33-42-21		15-Jan-00																			
30-2676	Strobe Light				30-2675-33-SB01		15-Aug-00																
30-2683-1, -2, -5, -6, -9, -10	Wing Position Light	33-42-36	1	01-Jul-01																			
30-2684-1	AFT Position Navigational Light	33-42-38		01-Apr-01																			
30-2715-1, -2, -3, -4	Taxi Camera Floodlight	33-42-39		01-May-01																			
30-2735-1	Strobe Light	33-42-41		01-May-01																			
30-2829-1	Electric-Taxi Camera Floodlight	33-42-64		15-Jun-02																			
30-2837-1	Tail Position Strobe Light	33-42-68	-	15-Jun-02																			
30-3109-1	Strobe Light																				306		Hard-Time Restoration, Not yet issued
30543-1					B5-21029		25-Aug-61																
31-1200-7																					060	16-Dec-76	

31-1253-11, -12	Forward Position Light-747 Aircraft											019	05-Nov-70	TIL -3 & -7 replaced w/ -11 & -12
31-1710-1	Aircraft Navigational Light Lens	33-44-06		01-Dec-69										
31-1749-5, -6	Position Light Lens	33-44-02	1	01-May-74										
31-1808-7	Lamp Housing Assembly											041	07-Feb-75	
31-1809-1, -3												036	18-Nov-74	
31-2115-7	Aircraft Navigational Light Lens	33-44-12	1	22-Feb-90										
31-2115-7, -11	Lens Assembly											231		
31-2706-1	Strobe Light Flange Assembly					31-2706-33-SB01		30-Sep-97						Possible improper heat treat of flange
31-4793-3,-4	Boom Marker Light											247	15-Sep-93	Incorps larger redesigned lampholder
315	Tail Position Light	33-41-95		01-May-97										
31595A	Dome Light					B5-21038		02-Jan-62						
31-6551-1, -2	Aircraft Navigational Light Lens Assembly	33-41-54	1	15-Feb-01										
31-6974	Flash Tube Assembly											242	27-Jul-93	Improvement to trigger ability
33965						B5-21066	-	25-Sep-64						
34170-1, -1-X, -1-305IF, -1X28, -1X28R, -1, -2X, -2-305IF, -2X28-3, -3-305IF, -3X28, -4-4-305IF, -5, -6-305IF, 7-305IF, -8-305IF, -9-305IF, -10X, -11X	Dome Light	33-30-20	1	15-Mar-01										
34265, -1, -2, -3, -5, -8, -13, -14, -15, -16, -17	Cockpit Light	33-10-23	2	15-Jun-00										
34265, -1, -2, -3, -5, -8, -13, -14, -15, -16, -17	Red and White Cockpit Flood Light								00091	-	04-Apr-03			Corrects reflector p/n.
34265-8, -15	Cockpit Light											207	26-Mar-90	
35-0056-1, -3, -5	Submarine Light					B5-21218		04-Jan-73						
36260	Dual Tail Light					B5-21290		19-Mar-74						
36260-1, -1-1683, -2, -2-1680, -2-1683, -3-1683, -4-1683, -5-1683, -7-1665, -23, -23-1683, -3071683	Dual Tail Light Assembly	33-41-61		01-Feb-86										
40-0001	Anti Collision Lights											085	26-Jun-79	Kit 41-1696-1
40-0001	Navigational Light					B5-21037		15-Dec-61						Used to replace capacitors
40-0001	Navigational Light					B5-21081	D	01-Feb-77						SB modifies part to 40-0001-1
40-0001	Navigational Light					B5-21103	A	15-Nov-68						
40-0001	Tandem Oscillating Light	PBS17		01-Jul-74										
40-0001	Navigational Light					B5-21196		28-Nov-72						
40-0001	Navigational Light					B5-21034		06-Nov-61						
40-0001	Navigational Light					B5-21033		20-Oct-61						
40-0001	Tandem Oscillating Light					B5-21023		25-May-61						
40-0002	Navigational Light											085	26-Jun-79	Kit 41-1696-1
40-0002	Navigational Light					B5-21103	A	15-Nov-68						
40-0002	Tandem Oscillating Light					B5-21023		25-May-61						
40-0002-1	Navigational Light					B5-21081	D	01-Feb-77						SB modifies -1 to -15
40-0013	Navigational Light					B5-21103	A	15-Nov-68						
40-0013	Teandem Oscillating Light	PBS16		01-May-74										
40-0013	Tandem Oscillating Light					B5-21023		25-May-61						
40-0013-1	Navigational Light					B5-21081	D	01-Feb-77						
40-0014	Tandem Oscillating Light	PBS14		01-May-74										
40-0014	Navigational Light					B5-21103		24-Oct-67						
40-0014	Tandem Oscillating Light					B5-21023		25-May-61						
40-0014-1	Navigational Light					B5-21081	D	01-Feb-77						
40-0025	Navigational Light											085	26-Jun-79	Kit 41-1696-1
40-0025-1, -3, -11, -13, -15, -17, -23	Navigational Light					B5-21222		28-Jan-73						
40-0025-13	Navigational Light					B5-21112		30-Sep-68						
40-0030	Rotating Navigational Light											085	26-Jun-79	Kit 41-1696-1





40-0110	Rotating Anti-Collision Light	PBS9		01-Dec-73															
40-0112	Tail Position Light				B5-21093		05-Aug-66												
40-0112-1	Tail Position Light				B5-21159		13-Mar-72												
40-0112-1	Tail Position Aircraft Navigational Light	33-40-19	3	01-Oct-00															
40-0115	Anti-Collision Light											085	26-Jun-79	Kit 41-1696-1					
40-0117	Tandem Oscillating Light	PBS19		01-Aug-74															
40-0127	Tandem Oscillating Light	PBS4		01-Nov-73															
40-0127-1, -5, -9	Oscillating Anticollision Beacon											367A	06-May-02						
40-0129	Rotating Lights											027	10-Sep-71						
40-0129	Rotating Lights											029	12-Oct-71						
40-0129-1, -3, -5, -7, -9, -11, -13, -15, -17	Aircraft Navigational Rotating Warning Light	H5-50055	1	31-Dec-91															
40-0135	Wing Position Light											048	10-Mar-76						
40-0135	Wing Position Light											221	31-Jul-91						
40-0135	Wing Position Light					B5-21093	05-Aug-66												
40-0135-1, -2, -3, -4, -5, -6, -7, -8, -9, -10	Wing Position Light											016	28-Apr-70						
40-0135-1, -2, -3, -4, -5, -6, -7, -8, -9, -10	Wing Position Light					B5-21160	14-Mar-72												
40-0135-1, -2, -3, -4, -5, -6, -7, -8, -9, -10	Aircraft Navigational Light - Wing Position	33-40-20	3	01-Aug-00															
40-0135-5, -6	Wing Position Light					B5-21124	08-Jul-69												SB modifies -5 & -6 to -9 & -10
40-0136-1						B5-21225	02-Feb-73												
40-0137-1	Rotating Navigational Light					B5-21225	02-Feb-73												
40-0149	Anti-Collision Light											033	12-May-72						
40-0149	Anti-Collision Light											113	16-Nov-81						
40-0149-1	Upper Rotating High Intensity Acft Anti-Collision Light	33-40-23		15-Feb-69															
40-0149-1, -2	Anti-Collision Light											223	31-Jul-91						
40-0149-1, -2	Anti-Collision Light					B5-21169	C	06-Mar-74											SB modifies -1 & -2 to -3
40-0149-2	Upper Rotating High Intensity Acft Anti-Collision Light	33-40-29		15-Mar-70															
40-0149-2, -3, -5	Anti-Collision Light (Upper)					40-0149-33-0003	A	08-Apr-76											
40-0149-2, -3, -5	Anti-Collision Light (Upper)					40-0149-33-0005		19-Jan-78											
40-0149-3	Upper Rotating High Intensity Acft Anti-Collision Light	33-40-66		01-Aug-73															
40-0149-3, -5	Upper Rotating High Intensity Acft Anti-Collision Light									00027		15-Oct-01							
40-0150	Anti-Collision Light											113	16-Nov-81						
40-0150-1, -3, -5	Anti-Collision Light											223	31-Jul-91						
40-0150-1, -3, -5	Anti-Collision Light					B5-21170	D	04-Nov-74											SB modifies -1, -3, & -5 to -7
40-0150-3	Lower High Intensity Acft Rotating Anti-Collision Light	33-40-24		15-Feb-69															
40-0150-5	Lower High Intensity Acft Rotating Anti-Collision Light	33-40-52		15-May-70															
40-0150-5, -7	Anti-Collision Light					40-0150-33-0004	A	08-Apr-76											Customer Request
40-0150-5, -7	Anti-Collision Light									00027		15-Oct-01							
40-0150-7	Lower High Intensity Acft Rotating Anti-Collision Light	33-40-67		01-Aug-73															
40-0152-1	Rotating Navigational Light					B5-21217		28-Dec-72											
40-0157	Tandem Oscillating Light	PBS5		01-Nov-74															
40-0173-1, -2	Rotating Beacon Aircraft Navigational Light	33-40-25	2	01-Nov-74															
40-0173-1, -2	Navigational Light											220	31-Jul-91						
40-0173-1, -2	Rotating Navigational Light					B5-21226		05-Feb-73											
40-0179	Anti-Collision Light											085	26-Jun-79	Kit 41-1696-1					











45-0132-1, -3	Waterproof Retractable Controllable Search Light	33-41-47		01-Dec-84																
45-0148-3, -4, -7, -8	Retractable Landing Light				45-0148-33-0003			02-Jan-80												Provide Longer Gear Life.
45-0148-3, -4, -7, -8, -9, -10	Retractable Aircraft Landing Light	33-40-84	2	01-May-87																
45-0148-3, -4, -7, -8, -9, -10	Retractable Aircraft Landing Light				45-0148-33-SB01	1		15-Oct-03												
45-0182-1, -3, -5, -7	Landing Light				45-0182-33-SB19			01-Apr-99												Improve Reliability of Light
45-0182-1, -3, -5, -7, -9	Search Light				45-0182-33-0018			15-Sep-93												Rework of relay
45-0182-3, -5	Search Light				45-0182-33-0007			30-Sep-91												Increases reliability
45-0190-5, -7	Retractable Landing Light				45-0190-33-SB01			01-Nov-02												
45-0212-1	Retractable Aircraft Landing Light				45-0212-33-0009			12-Mar-93												Increase life of the relay assembly
45-0212-1	Retractable Aircraft Landing Light	33-41-33		01-Oct-83																
45-0213-1					45-0213-33-0004	C		22-Oct-90												
45-0213-1, -3	Retractable Landing Light	33-41-75		15-Jun-92																
45-0214-1		33-41-46																		
45-0234	Light Assembly Landing Retractable																			Recommendation for periodic lubrication of sector gear and worm pinion
45-0234	Landing Light									00014		27-Jun-01		372B		11-May-01				
45-0234-1	Landing Light				45-0234-33-0008	2		23-Oct-91												To eliminate the buffeting effect on the light.
45-0234-1, -3	Retractable Landing Light	33-41-62	2	01-May-01																
45-0234-1, -3	Landing Light									00048		15-May-02								Connector D38999-20WE8PN interchangeable with CO1412.
45-0234-1,-3	Light Assembly Landing Retractable				45-0234-33-SB01			15-Nov-01												
45-0241-1, -3, -5, -7	Controllable Search Light									00063		15-Jul-02								CM098 changed to CM099
45-0241-1, -3, -5, -7, -11	Controllable Search Light	33-41-74	1	15-Aug-01																
45-0241-1, -3, -5, -7, -9, -11										00106	-	25-Jun-03								Correction of gear p/n
45-0253-1	Searchlight, Controllable-Visible and NVG Compatible				45-0253-33-0012			30-Jun-92												Installation of new electrical connection
45-0253-11, -13, -15, -17	Searchlight, Controllable-Visible and NVG Compatible	33-42-02	1	01-May-02																
45-0253-11, -13, -15, -17, -19, -21, -22, -23, -25, -27, -29, -31, -33	Searchlight, Controllable-Visible and NVG Compatible									00063		15-Jul-02								CM 098 changed to CM 099
45-0253-11, -13, -15, -17, -19, -21, -23, -25, -27	Searchlight, Controllable-Visible and NVG Compatible				45-0253-33-SB01			01-Dec-00												
45-0253-19, -21, -22, -23, -25, -27	Searchlight, Controllable-Visible and NVG Compatible	33-41-90	1	01-May-02																
45-0253-29, -31, -33	Searchlight, Controllable-Visible and NVG Compatible	33-42-58		15-May-02																
45-0262	Landing Light															263	08-Aug-95			
45-0263-1, -2, -3, -501	Retractable Landing Light	33-41-71		17-Jan-90																
45-0263-3	Landing Light				45-0263-33-0005			24-Aug-90												
45-0263-3	Landing Light				45-0263-33-0006			02-Apr-91												
45-0309-1		33-41-88																		CMM not yet issued
45-0313-1, -3	Landing Light									00063		15-Jul-02								CM098 changed to CM099
45-0325-1	Retractable Landing Light															330	08-May-96			Hinge pin vibration







60-0304-3	Rechargeable Battery Power Supply	33-50-01		01-Mar-66															
60-0304-3	Power Supply				B5-21096		30-Sep-66												
60-0304-31	Battery Power Supply											139	21-Sep-83						
60-0304-31	Rechargeable Battery Power Supply				60-0304-33-0010	1	08-Oct-82												
60-0304-31	Battery Power Supply				B5-21101		10-May-67												
60-0304-31, -33, -51	Rechargeable Battery Power Supply	33-50-02	5	06-Jun-86															
60-0304-31, -33, -51	Battery Power Supply				60-0304-33-0041		24-Mar-92												Modification that replaces a rivet, washer and terminal.
60-0304-31, 51	Battery Power Supply							00038		01-Nov-01									
60-0304-51	Battery Power Supply				60-0304-33-0021	B	10-Dec-86												SB modifies 60-0304-31 to -51
60-0304-51	Battery Power Supply				60-0304-33-0024		20-Apr-87												SB modifies -5 to -51
60-0540	Rechargeable Power Failure Battery Power Supply											235A	30-Sep-92						Replace extended C size battery with battery pack 61-0478-9
60-0540-1	Rechargeable Power Failure Battery Power Supply	33-50-06	1	15-Feb-81															Replace extended C size battery with battery pack 61-0478-9
60-0883	Emergency Exit Light Power Supply											235A	30-Sep-92						Replace extended C size battery with battery pack 61-0478-9
60-0883-1	Emergency Battery Power Supply				B5-21106	1	14-May-68												
60-0883-1, -1LB, -3, -3LB	Emergency Exit Light Power Supply	33-50-24	1	15-Jan-77															
60-0883-3	Emergency Battery Power Supply											015	05-Jan-70						
60-0890-1, -3, -5, -7	Rechargeable Battery Power Supply	33-50-22	2	26-Jul-91															
60-0890-3	Power Supply				60-0890-33-0008		21-Oct-76												
60-1177	Power Supply				60-1177-33-0026		02-Apr-87												
60-1177-1	Power Supply				B5-21130		16-Apr-70												
60-1177-1, -3	Power Supply											017	15-Jun-70						
60-1177-1, -3	Power Supply				B5-21139		08-Sep-70												SB modifies -1 & -3 to -5 & -7
60-1177-1, -3, -5, -7	Power Supply				B5-21150		07-Jul-71												
60-1177-5, -7	Rechargeable Battery Power Supply											056	26-Jul-76						
60-1177-5, -7	Rechargeable Battery Power Supply				60-1177-33-0006		20-Feb-76												
60-1177-5, -7	Power Supply				60-1177-33-0018	B	06-Dec-83												SB modifies -7 to -9
60-1177-5, -7	Power Supply				B5-21200		07-Dec-72												
60-1177-5, -7, -9	Rechargeable Battery Power Supply	33-50-12	7	01-May-01															
60-1177-5, -7, -9	Power Supply							00051		15-May-02									
60-1177-5, -7, -9	Power Supply											00037	15-Oct-01						55-0149-75R03F Typo in manual, should be 55-0419-75R03F.
60-1211-1, -1RF	Power Supply, Emergency Exit											018	12-Aug-70						
60-1211-1, -1RF	Emergency Battery Power Supply				60-1211-33-0031		15-Sep-92												
60-1211-1RF	Emergency Exit Light Power Supply	33-50-13	3	01-Jun-00															
60-1223-1	Emergency Power Supply				B5-21135		01-Jun-71												
60-1223-1, -3	Emergency Power Supply				B5-21140		02-Dec-70												SB modifies -1 to -7 & -3 to -5
60-1223-1, -3, -5, -7	Emergency Power Supply				B5-21201		08-Dec-72												
60-1223-1, -3, -5, -7	Emergency Light Battery Rack Assembly	33-50-21		01-May-71															
60-1223-1, -3, -5, -7	Emergency Light Battery Rack Assy							00108	-	24-Jul-03									Battery P/N now MISC0627
60-1223-5, -7	Emergency Power Supply											030	16-Nov-71						

60-1254	Rechargeable Battery Power Supply										235A	30-Sep-92	Replace extended C size batteries with battery pack 61-0478-9
60-1254-1	Emergency Exit Light					B5-21153		27-Oct-71					
60-1254-1	Power Supply					B5-21153		27-Oct-71					
60-1254-1	Rechargeable Battery Power Supply	33-50-09	2	01-Aug-00									
60-1254-1	Emergency Battery Power Supply										162	14-Nov-86	
60-1321	Battery Pack										082	16-Feb-79	Increased component resistance
60-1321	Emergency Exit Light Power Supply										232A	30-Sep-92	Replacement of S106 batteries with battery pack 61-0478-9
60-1321	Power Supply					B5-21119		20-May-69					
60-1321-1	Power Supply										162	14-Nov-86	
60-1321-1	Power Supply										177	30-Jul-87	
60-1321-1	Emergency Power Supply					60-1321-33-0001		09-Mar-89					
60-1321-1, -1LB, -5, -5LB, -7, -7LB	Emergency Power Supply					60-1321-33-0028		27-Mar-91					
60-1321-1, -5, -7, -1LB, -5LB, -7LB	Emergency Exit Light Power Supply	33-50-42	2	01-Jul-00									Adds a resistor CMM supersedes 33-50-11 Capacitance Test for the 61-0478-9 Battery Assembly.
60-1321-1, -5, -7, -1LB, -5LB, -7LB	Emergency Exit Light Power Supply										384A	13-Feb-03	Prevent possible failures or safety hazards
60-1321-7	Emergency Battery Power Supply										327	14-Mar-96	
60-1323-1	Emergency Power Supply					B5-21134	A	19-Sep-72					
60-1323-1	Emergency Power Supply					B5-21202		11-Dec-72					
60-1376	Strobe Power Supply	R1376		01-Mar-74									
60-1376-10	Power Supply	MD60-2		01-Feb-71									
60-1411	Power Supply										232A	30-Sep-92	Replace extended C size batteries with battery pack 61-0478-9
60-1411	Emergency Power Supply					60-1411-33-0034		15-Dec-91					Kit 60-4828-1
60-1411-1, -1LB, -3, -3LB	Emergency Exit Light Power Supply	33-50-29	2	01-Sep-00									
60-1411-1, -1LB, -3, -3LB	Emergency Exit Light Power Supply										384	25-Jan-02	Capacitance test for the 61-0478-9 Battery Assembly
60-1411-3	Emergency Battery Power Supply										162	14-Nov-86	
60-1431	Strobe Power Supply	R1431		01-Jun-74									
60-1433-1	Power Supply					B5-21243		11-May-73					
60-1433-1	Power Supply					B5-21284		24-Jan-74					SB modifies -1 to -3
60-1433-1	Flashtube Power Supply	33-40-33		15-Sep-72									
60-1473	Strobe Power Supply	R1473		01-Mar-74									
60-1520-1, -3	Power Supply	MD60-1	1	01-Nov-73									
60-1592-5, -11	Strobe Power Supply	R1592		01-Jun-74									
60-1592-5, -11	Power Supply										198	19-Jan-90	
60-1612-1, -3, -5	Power Supply Assembly	33-50-23	1	15-Mar-71									
60-1750	Strobe Power Supply	R1750	4	01-Sep-83									
60-1750-1, -3	Power Supply					B5-21180		01-Jun-72					
60-1750-3, -7	Flashtube Power Supply	33-40-58	2	15-Dec-00									CMM supersedes R1750
60-1755-1, -3	Strobe Power Supply	R1755		01-Mar-74									
60-1823-1	Flashtube Power Supply	33-40-28		01-Aug-72									
60-2086-1	Anti-Collision Light Flashtube Power Supply	33-40-62		15-Oct-72									
60-2160-1											114	12-Oct-81	
60-2233	Fluorescent Lampholder										332	15-Oct-96	Recommended Inspection for Deformation/Corrosion
60-2234-5	Lampholder, Insertion Guide										155	24-May-85	
60-2250-1	Strobe Power Supply	R2250	-	01-Mar-75									
60-2290-1, -5, -7	Strobe Light Power Supply	33-40-72		15-Mar-76									
60-2361-1	Power Supply										198	19-Jan-90	



60-3269	Rechargeable Battery Power Supply											235A	30-Sep-92	Replace extended C size batteries with battery pack 61-0478-9
60-3269-1	Rechargeable Battery Power Supply	33-50-35	1	11-Feb-83										
60-3269-1, -3	Emergency Battery Power Supply											162	14-Nov-86	
60-3274	Strobe Power Supply											124	01-Feb-82	
60-3274	Power Supply					60-3274-33-0017	A	22-Aug-84						Replace storage capacitor after 2000 hours
60-3274-1	Power Supply					60-3274-33-0015	1	15-Mar-82						SB modifies -1 to -3
60-3274-1, -5	Strobe Light Power Supply	33-50-41	4	15-Apr-02										Data for 60-3757 removed at Rev 2 (Refer to 33-50-68)
60-3274-1, -5	Strobe Light Power Supply								00071				15-Sep-02	Fig 1 Item 160, correct p/n MS21042-04
60-3367-1	Strobe Light Power Supply	33-40-96		01-Dec-79										
60-3368	Anticollision Light System Power Supply											234	22-Jun-92	
60-3368-1	Strobe Light Power Supply	33-44-17		15-Dec-80										Inactive Publication
60-3368-5	Power Supply					60-3368-33-0019	D	19-Oct-84						
60-3368-5	Strobe Light Power Supply	33-44-20		01-May-82										
60-3368-7	Power Supply					60-3368-33-0022		24-Sep-86						
60-3368-7	Strobe Light Power Supply	33-44-21	3	15-Apr-99										
60-3368-7	Anticollision Light System Power Supply											360	11-May-99	Duplicated Serial Numbers
60-3368-7	Strobe Light Power Supply								00079	-	31-Dec-02			PN change for voltage regulator : 55-0478-32 => TC1536.
60-3414-1, -3, -5, -7, -9, -11, -13, -15, -17, -19, -21, -23, -25, -27, -29	Cable Assembly	33-44-18	6	01-Oct-02										
60-3414-15, -21	Cable Assemblies					60-3414-33-SB01		08-Dec-98						Approved 1-15-99
60-3414-9, -29	Cable Assemblies					60-3414-33-SB02		01-Dec-01						Modifies a 60-3414-9 to a 60-3414-29
60-3474	Strobe Power Supply											226	01-Jun-92	
60-3474-1, -3, -5	Strobe Power Supply	33-50-58		01-May-01										
60-3547	Power Supply								00029		30-Aug-01			
60-3550	Emergency Exit Power Supply											236	06-Jul-92	Relocation of identification plate
60-3550-1	Power Supply											174B	31-Mar-94	Information on NICAD Batteries
60-3550-1	Emergency Exit Light Battery Power Supply	33-50-38	1	01-Oct-00										
60-3557-1	Flashtube Power Supply	33-41-28		01-Apr-81										
60-3713-1						60-3713-33-0029		16-Apr-91						SB modifies -1 to -3
60-3713-1	Power Supply	33-41-39												See CMM 33-41-39
60-3713-1	Power Supply					60-3713-33-0023		26-Sep-86						
60-3757-1	Strobe Light Power Supply	33-50-41	1	01-Apr-83										Superseded by CMM 33-50-68 (This part number only)
60-3757-1, -3	Strobe Light Power Supply	33-50-68	1	01-Jul-00										CMM supersedes CMM 33-50-41
60-3757-3	Strobe Light Power Supply					60-3757-33-SB01	1	19-May-95						Modifies -3 to -5
60-3844-1	Emergency Battery Power Supply											177	30-Jul-87	
60-3844-1	Power Supply											232A	30-Sep-92	Replace extended C size batteries with battery pack 61-0478-9
60-3844-1	Emergency Battery Power Supply					60-1321-33-0001		09-Mar-89						











75-0039-1	Annunciator Panel	33-10-01	1	26-Jan-65															
75-0039-1, -3, -5, -7, -9	Generator System Annunciator Panel	33-10-02	3	01-Nov-00															
75-0123-1, -3, -5, -7, -9, -11, -13, -15, -17, -19, -21, -23, -25, -27, -29, -31	Indicator Light Assembly	33-10-04	3	01-Jul-00															
75-0123-7	Indicator Light				B5-21193	25-Oct-72													SB modifies -7 to -9M
75-0147-9, -11, -13	Annunciator Panel				75-0147-33-0001	08-Nov-74													SB modifies -xx to -xxA
75-0147-9A, -11A, -13A	Indicator Annunciator Light Assembly	33-10-12	3	15-Oct-00															
75-0148-1, -3, -5, -7, -9, -11, -13, -15, -17, -19, -21, -23, -25, -27, -29, -31, -33, -35, -37, -39, -41	External Door Warning Annunciator Panel Assembly	33-10-09	3	15-Apr-01															
75-0149-1	Approach Progress Display												080	05-Dec-78					
75-0149-1, -3, -5, -7, -9, -11, -13, -15, -17, -19, -21, -25, -27, -29, -31, -33, -35, -37, -39, -41, -43, -45, -47, -49, -51, -53, -55, -57	Indicator Light Assembly	33-10-05	4	15-Sep-80															CMM superseded by 33-10-57
75-0149-1, -3, -5, -7, -9, -13, -15, -17, -19, -21, -25, -27, -29, -31, -33, -35, -37, -39, -41, -43, -45, -47, -49, -51, -53, -55, -57, -59, -61, -63, -65, -67, -69, -71, -73, -75, -77, -79	Indicator Light Assembly	33-10-57	2	01-Dec-00															CMM supersedes 33-10-05
75-0150-1	Indicator Light Assembly	33-10-06		01-Sep-67															
75-0161-1	LE Flap Position Annunciator Light Assembly	33-10-08		01-May-69															
75-0169-1, -3, -5	Generator System Annunciator Panel	33-10-29		01-Dec-74															
75-0316-1, -3	Control Panel, Fire Detection and Switch	MD75-1		01-Feb-78															
75-0316-11	Control Panel				75-0316-MD75-04	18-May-79													
75-0316-7, -9, -11	Fire Detection and Switch Control Panel	33-10-61		15-Mar-85															CMM supersedes MD75
75-0316-9					75-0316-MD75-01	18-May-79													
75-0336-1, -3, -5, -7	Warning Panel	33-10-39	2	01-Aug-01															
75-0341-1, -3, -5, -7, -9, -13, -15, -17, -19, -21, -23, -25, -27, -29	Annunciator Panel Indicator Light Assembly	33-10-37		01-Mar-85															
75-0358-1	Warning & Caution System Annunciator Panel	33-10-42		01-Nov-80															
75-0361-1	Control Panel				75-0361-MD75-02	31-Jan-79													SB modifies -1 to -3
75-0361-1, -3	Fire Detection and Switch Control Panel	33-10-60		15-Apr-85															
75-0361-3	Control Panel				75-0361-MD75-03	31-Jan-79													
75-0361-3	Control Panel				75-0361-MD75-04	31-Jul-79													
75-0362-1	Flight Controls Annunciator Panel	33-10-35		15-Dec-79															
75-0363-1	Annunciator Panel	33-10-43		15-Dec-80															
75-0434-1, -3, -5, -7	Caution and Advisory Annunciator Panel	33-10-81		15-Feb-01															
76-0779-3					B5-21146	25-Aug-72													
78-9-1	Emergency Exit Light Power Supply	33-50-11	2	01-Nov-79															CMM superseded by 33-50-42
80-0052-1	Caution Panel				B5-21203	11-Dec-72													
80-0062	Master Caution Light				B5-21113	26-Dec-68													
80-0075	Panel - Warning and Caution Light				B5-21070	26-Jan-65													
80-0120	Master Caution System												049	26-Apr-76					
80-0120	Master Caution System				80-0120-33-0002	B	16-Nov-77												
80-0120-1, -3, -5, -7, -9, -11, -13, -15, -17, -19, -21, -23, -25, -27, -29, -31, -33, -35, -37, -39, -41, -43, -45, -47, -49, -51, -53, -55, -57	Warning/Caution Panel Light Assembly	33-10-27	6	15-Dec-91															
80-0122	Master Caution System												049	26-Apr-76					

80-0122-1, -3	WARNING/CAUTION PANEL	MD80-2		15-Mar-71															
80-0122-1, -3, -5, -7, -9, -11, -13, -15, -17, -19	Warning/ Caution Panel Light Assembly	33-10-28	4	01-May-85															
80-0125-17	Annunciator Panel												203	11-Dec-89					
80-0162-1, -3	Master Caution System Panel					80-0162-31-SB01		15-Aug-98											Rework Trace.
80-0162-1, -3	Circuit Card Assembly					80-0162-31-SB01		15-Aug-98											Circuit Card Assembly Rework
80-0170-21	Warning and Caution System					80-0170-31-0021		30-Sep-92											Nomenclature character height correction
80-0181-11	Caution/Advisory Panel Assembly					80-0181-33-sb01	1	15-Feb-03											
80-0204-1, -3	Master Caution System Panel					80-0204-31-SB01		15-Aug-98											Rework Trace.
80-0209	Caution Advisory Panel												204	29-Nov-89					
80-0211-1, -3	Caution/Warning Panel												148	20-Aug-84					
80-0211-1, -3	Caution/Warning Panel Light Assembly	33-10-13	2	01-Sep-00															
80-0250	Caution Panel												106	11-Mar-81					
80-0250	Caution Panel												108	20-Mar-81					
80-0261	Caution Advisory Panel												204	29-Nov-89					
80-0294-1	Master Caution System Control Box	33-10-38		01-Jul-80															
80-0294-1	Master Caution System Control Box								00019				16-Jul-01						
80-0300-1 to -11	Caution/Warning Panel Assembly	33-10-31		01-Jul-79															CMM superseded by 33-10-58
80-0300-1, -1A, -1B, -1C, -1D, -1E, -1F, -1G, -1H, -3, -3A, -3B, -3C, -3D, -5, -5A, -5B, -5C, -5D, -5E, -5F, -5G, -5H, -5J, -5K, -7, -7A, -7B, -7C, -9, -9A, -9B, -11, -13, -13A, -13B, -13D, -14, -14A, -15, -17, -105	Caution/Warning Panel Assembly	33-10-58	2	01-Dec-00															CMM supersedes 33-10-31
80-0300-13C	Caution/Warning Panel					80-0300-33-0005		19-Mar-86											To upgrade to the "-13B onfiguration to -13C
80-0300-3	Caution/Warning Panel					80-0300-33-0004		19-Mar-86											To upgrade to the "-3" configuration to -3A
80-0300-9B	Caution/Warning Panel					80-0300-33-SB01		01-Jul-00											To upgrade to the "-9C" configuration by adding a new nomenclature filter to the unit.
80-0306-1, -3	Caution and Warning Panel	33-10-30		15-Oct-75															
80-0314-1, -3	Annunciator Panel					80-0314-33-0001		15-Nov-76											
80-0419-1	Flight Controls Caution & Annunciator Panel	33-10-45		15-May-81															
80-0487-1	Caution/Advisory Annunciator Panel	33-10-44		15-Nov-81															
80-0488-1, -3, -5	Caution and Advisory Annunciator Panel	33-10-40		01-Aug-80															
80-0490	Caution/Advisory Panel												151	20-Mar-85					
80-0490-1, -3, -5, -7, -9, -11, -13, -15	Caution & Advisory Annunciator Panel	31-50-05		01-Oct-86															
80-0500-1 to -17	Master Caution//Warning Panel					80-0500-33-0003	A	14-Nov-85											
80-0500-1, -3, -5, -7, -9, -11, -13, -15, -17, -19, -21, -23, -25, -27, -29, -31, -33	Annunciator Panel	33-10-36	2	15-Mar-01															
80-0511-23	Annunciator Panel												336	15-Jun-97					Silicone Controlled Rectifier Malfunctioning
80-0511-3, -5, -7, -9, -11, -13, -15, -17, -19, -21, -23	Annunciator Panel	33-10-80		01-Oct-00															
80-0535	Annunciator Panel Assembly, Caution												253	01-Apr-94					Applying adhesive to filter assemblies



















G9945	Landing Light									263	08-Aug-95	
G9945B	Landing & Taxi Light				B5-21015		04-Jan-61					
G9950	Tandem Oscillating Light				B5-21034		06-Nov-61					
G9950	Tandem Oscillating Light				B5-21033		20-Oct-61					
G9950	Tandem Oscillating Light				B5-21029		25-Aug-61					
G9950	Tandem Oscillating Light				B5-21023		25-May-61					
G-9950	Tandem Oscillating Aircraft Navigational Light									066	08-Apr-77	
G9950-1, -13, -19, -21, -23, -25, -33, -36	Anti-Collision Beacon									367A	06-May-02	Changed G-9950 to 30-2647-1
G9950-1, -2, -5, -7, -9, -11, -13, -15, -17, -19, -21, -23, -25, -27, -31, -33, -35, -36	Tandem Oscillating Aircraft Navigational Light	33-41-89		01-Jun-98								Supersedes 33-40-50 on issue
G9950-1, -2, -5, -7, -9, -11, -13, -17, -19, -21, -23, -25, -27	Tandem Oscillating Aircraft Navigational Light	33-40-50	1	01-Mar-78								Superseded by 33-41-89 on issue
G9990	Tandem Oscillating Light				B5-21034		06-Nov-61					
G9990	Tandem Oscillating Light				B5-21033		20-Oct-61					
G9990	Tandem Oscillating Light				B5-21029		25-Aug-61					
G9990	Tandem Oscillating Light				B5-21023		25-May-61					
G9990	Tandem Oscillating Light				B5-21008		19-Jul-60					
G9990-1	Tandem Oscillating Light	33-04-02		15-Jan-63								
MISC-062	"C" Cell Nickel Cadmium Battery									014	15-Aug-69	Proper Battery Care
MISC-062	"C" Cell Nickel Cadmium Battery									235	22-Jun-92	Replacement of Leaky Batteries
MISC-062	"C" Cell Nickel Cadmium Battery									235A	17-May-93	Replacement of Leaky Batteries
MISC-062	"C" Cell Nickel Cadmium Battery									235B	15-Feb-94	Replacement of Leaky Batteries
NICAD BATTERIES	NICAD Batteries									174	01-Dec-87	Supplemental Information